

Nominal current	1 A
No-load current	0.2 A
Positioning resolution	0.5 % of positioning range
Positioning accuracy	2 % of positioning range
Positioning range	max. 50 rotations
Shock resistance in accordance with IEC/DIN EN 60068-2-27	50 g 11 ms
Vibration resistance in accordance with IEC/DIN EN 60068-2-6	10..55 Hz 1.5 mm/ 55..1 000 Hz 10 g/ 10..2 000 Hz 5 g
Output shaft	12 mm solid shaft (with flattening)
Maximum axial force	20 N
Maximum radial force	30 N
Ambient temperature	0..50 °C
Storage temperature	-10..70 °C
Protection class	IP 55
Weight	900 g
Certificates	CE

Nominal torque	Nominal rated speed	A
1 Nm	30 rpm	200/1
5 Nm	5 rpm	200/2
10 Nm	2 rpm	200/3
10 Nm	1 rpm	200/4
10 Nm	0.5 rpm	200/5
10 Nm	0.25 rpm	200/6

Default analog target value	B
0..10 VDC ( $R_L > 2 \text{ k}\Omega$ )	A
0..20 mA ( $R_L < 500 \Omega$ )	B
4..20 mA ( $R_L < 500 \Omega$ )	C

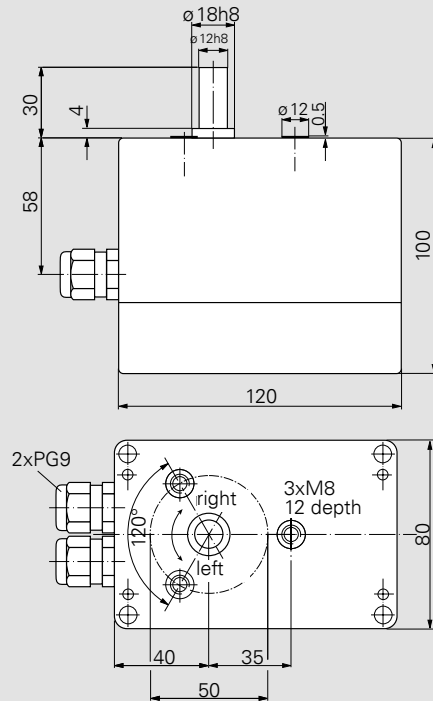
Supply voltage	C
24 VDC (+20/-15 %)	A

Positioning range	D
0..360°	— °
max. 50	— U

Output signal actual value	E
0..10 V	A
0..20 mA	B
4..20 mA	C

Rotational direction	F
left	li
right	re

Order code	A	B	C	D	E	F
PSE	—	—	—	—	—	—



Dimensions in mm.

Functional block diagram PSE 200

