

VNG 152

Manual riveting tool for blind rivet nuts and blind rivet studs
with hydraulics



M3	M4	M5	M6	M8	M10	M12
Aluminium						
Steel						
Stainless steel						



Steel						
-------	--	--	--	--	--	--



0.6 kg



with integrated hydraulics



Plastic case



290 x 195 x 54 mm



1 conversion kit each for M3, M4, M5, M6 and M8 for blind rivet nuts, M4, M5, M6 and M8 for RIFBOLT® bolts

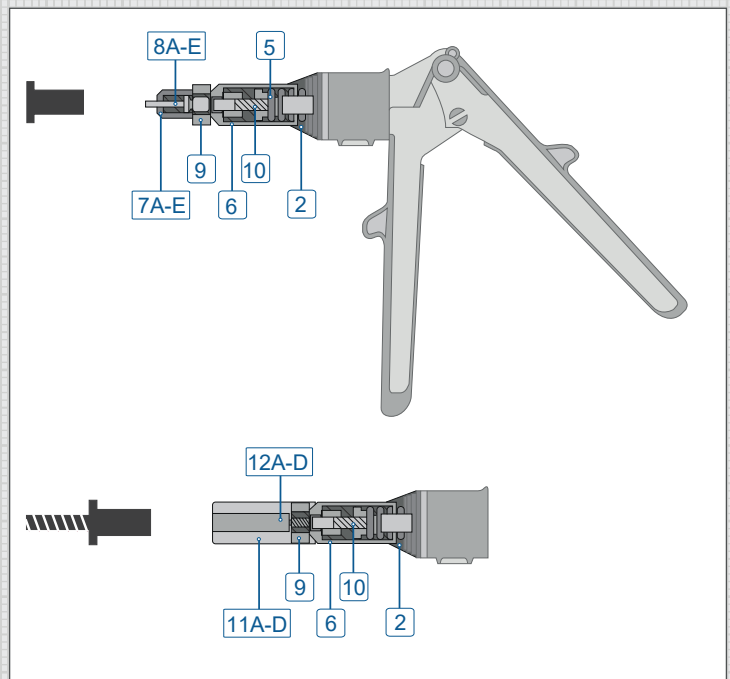
Item no. 310152000000

Hydraulically assisted setting
without great effort.



VNG 152 Spare Parts

No.	Item no.	Spare part
2	311151000009	VNG 152 housing cover
5	311151000010	VNG 152 pressure spring
6	311151000001	VNG 152 front sleeve
7A	311151002003	VNG 152 nose piece BNM M3
7B	311151002004	VNG 152 nose piece BNM M4
7C	311151002005	VNG 152 nose piece BNM M5
7D	311151002006	VNG 152 nose piece BNM M6
7E	311151002008	VNG 152 nose piece BNM M8
8A	311151003003	VNG 152 mandrel M3
8B	311151003004	VNG 152 mandrel M4
8C	311151003005	VNG 152 mandrel M5
8D	311151003006	VNG 152 mandrel M6
8E	311151003008	VNG 152 mandrel M8
9	311151000008	VNG 152 adapter for nose piece
10	311151000007	VNG 152 adapter for mandrel
11A	311151007004	VNG 152 nose piece Rifbolt M4
11B	311151007005	VNG 152 nose piece Rifbolt M5
11C	311151007006	VNG 152 nose piece Rifbolt M6
11D	311151007008	VNG 152 nose piece Rifbolt M8
12A	311151004004	VNG 152 threaded sleeve Rifbolt M4
12B	311151004005	VNG 152 threaded sleeve Rifbolt M5
12C	311151004006	VNG 152 threaded sleeve Rifbolt M6
12D	311151004008	VNG 152 threaded sleeve Rifbolt M8



You can also use our interactive ProductViewer to quickly search for the correct spare part.