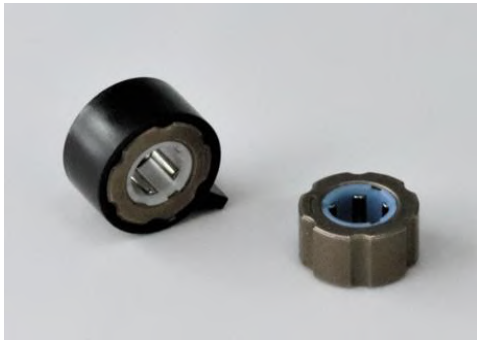


TCK for transmitting rotational force only in one direction



TCK is a one-way clutch that has a slide bearing and a thin width, which is compact and improve design flexibility.

BENEFIT

- Can be used by press-fitting into various shaped housings such as gears, pulleys, levers and cams.
- Space-saving design
- Expects the cost reduction since the wide tolerance shaft can be used.
- Since the shaft has a large tolerance, it reduced cost.
- Long lifetime thanks to no grease.

Code	Part No.	Allowable Torque 【N·m】 (lbf·in)	Idling Torque 【mN·m】 (lbf·in)	Backlash 【°】	Lock Direction 【Shaft Fixed】	Shaft Diameter 【mm】
488999	TCK-614-B-C	0.59 (5.22)	2.94 or less (0.03)	2.5 or less	CCW	φ6 $\begin{matrix} 0 \\ -0.03 \end{matrix}$
488998	TCK-614-RB-C	0.59 (5.22)	2.94 or less (0.03)	2.5 or less	CW	

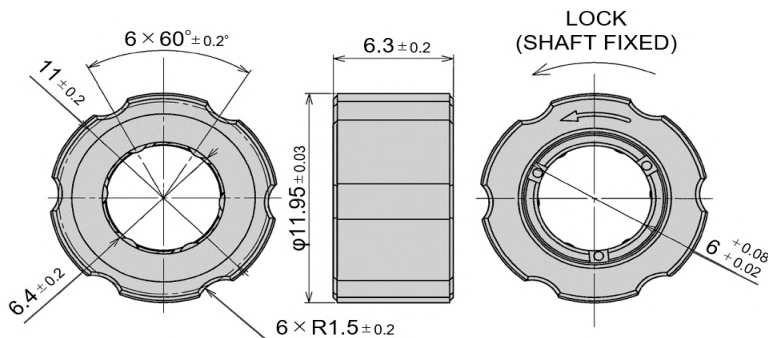
HOUSING DIMENSIONS

Minimum Housing Dimensions [mm]		
Outside	Width	Inside
φ14 ≤	7.3 ≤	φ6 $\begin{matrix} +0.08 \\ +0.02 \end{matrix}$

OPERATION TEMPERATURE

Operation Temperature [°C] (°F)
0 - 60°C (32 - 140°F)

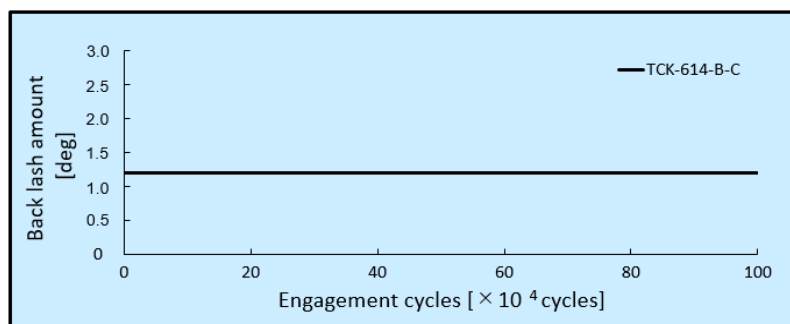
CLUTCH ELEMENT DIMENSIONS [Type: TCK-614-B-C]



MAIN MATERIALS

Part name	Material
Outer sleeve	Sintering
Retainer	Plastics
Needle	Bearing Steel
Spring	Stainless
Cover	Stainless

DURABILITY

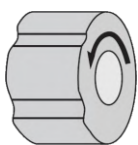


TEST CONDITION

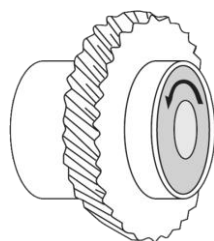
- Swinging cycle: 240 times / min
- Swinging angle: 30°
- Radial load: 9.8N (1kgf)
- Durability : 1,000,000 cycles
- Shaft tolerance range: φ5.97mm
- Surface hardness: 670 Hv

ASSEMBLY

It is possible to provide clutches assembled in the housing.



Single Item



Assembling with Customized Housing

RECOMMENDED SHAFT

Material	Stainless Bearing steel Carbon tool steel
Processing	Heat treatment 700Hv.1 *Please refrain from plating use
Shaft Diameter	φ6 $\begin{matrix} 0 \\ -0.03 \end{matrix}$

TOK, Inc.

HEAD OFFICE, TOKYO, JAPAN

TEL:+81-3-3969-1584 EMAIL:en-contact@tok-inc.com

CAD Data Download

<https://bit.ly/3dYLKl4>

