

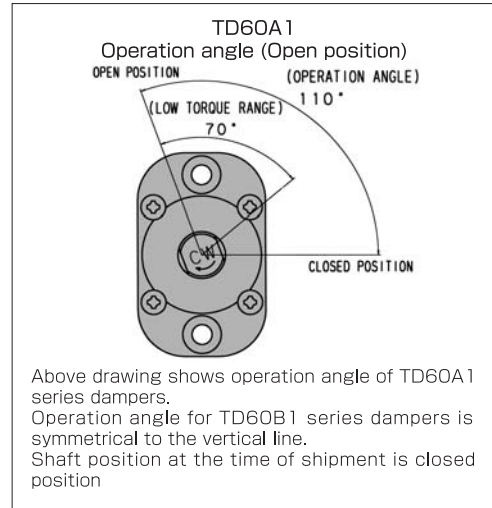
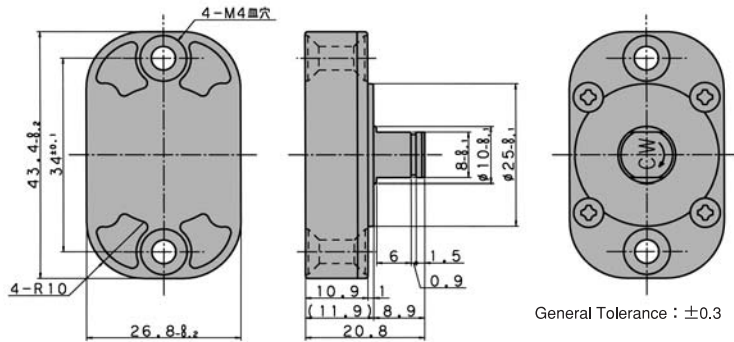
ROTARY DAMPERS

TD60 SERIES



FEATURES

- RoHS compliance
- This design combines a body width of 10.9mm and a torque of 1.96N+m.

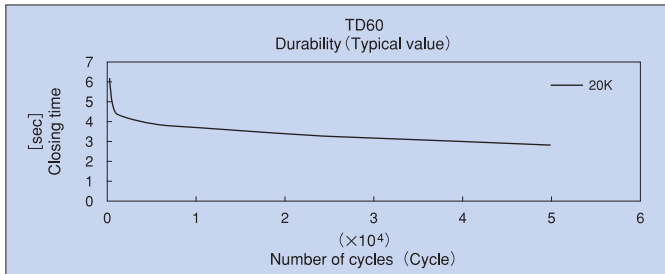


Code	Part No.	Allowable Torque [N·m] (Kgf·cm)	Direction
606005	TD60A1-10K	[0.98] (10)	CW (R)
606003	TD60A1-15K	[1.47] (15)	CW (R)
606001	TD60A1-20K	[1.96] (20)	CW (R)

Code	Part No.	Allowable Torque [N·m] (Kgf·cm)	Direction
606006	TD60B1-10K	[0.98] (10)	CCW (L)
606004	TD60B1-15K	[1.47] (15)	CCW (L)
606002	TD60B1-20K	[1.96] (20)	CCW (L)

DURABILITY

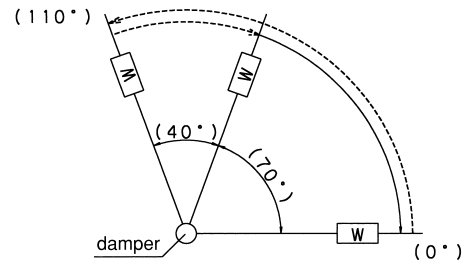
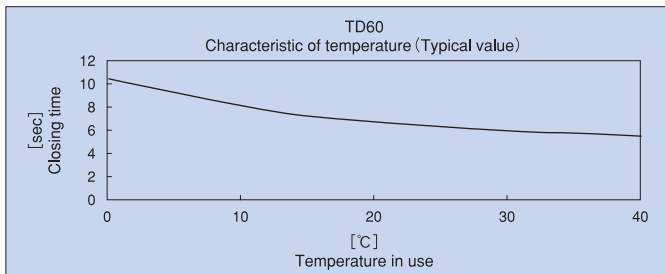
Each damper is set-up with an applied torque and weight on the shaft of the testing device. Measurements for closing time are taken under above condition.



Operation angle	110°	
Durability	50,000cycles	
Closing time	Applied torque	Initial value
	0.98N·m (10kgf·cm)	5~15 (sec)
	1.47N·m (15kgf·cm)	5~15 (sec)
1.96N·m (20kgf·cm)	3~12 (sec)	

TEMPERATURE CHARACTERISTICS

After the damper is stabilized at room temperature for 1 hour or more, the closing time is measured using a TOK made device.



TEST CONDITION

- ① Setting-up time : 15sec/cycle
- ② Applied torque :
0.98N·m (10kgf·cm)
1.47N·m (15kgf·cm)
1.96N·m (20kgf·cm)
- ③ Temp : 23°C±2°C
- ④ Angle for measuring the closing time : 70°→0°
- ⑤ Radial force : nothing
- ⑥ Closing time after durability test : 1 sec or more

TOK BEARING CO.,LTD.

HEAD OFFICE, TOKYO, JAPAN – TEL : 81-3-3969-1534 FAX : 81-3-3969-9354
EMAIL : overseas@tok-bearing.co.jp

Product specification are subject to change without prior notice.

Before assembly or use of any bearing, please read "Caution for Use"