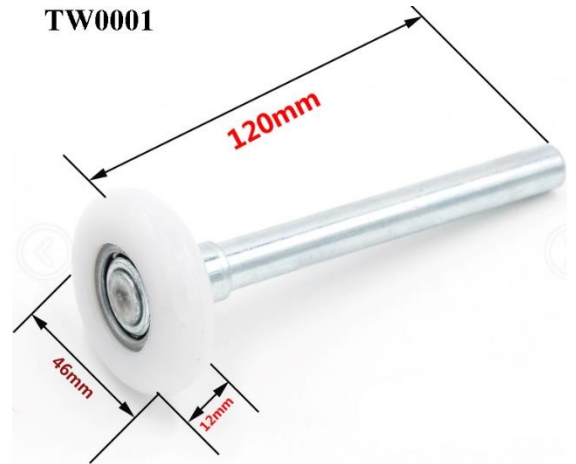


TW0001

Name: Nylon Roller
Unit: 1 piece
Weight: 0.133kg
Material: Zinc plated steel, plastic roller

Description: Standard roller with white tyre.
Roller Diameter: 46mm.
Suitable for 2" track
Max. load: 35 kg at 750.000 revolutions

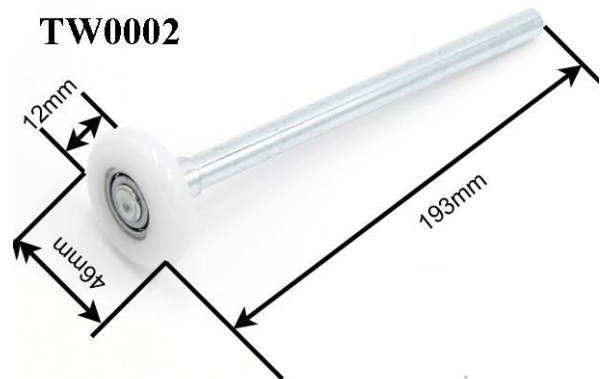
Application: Residential / Industrial



TW0002

Name: Nylon Roller
Unit: 1 piece
Weight: 0.185kg
Material: Zinc plated steel, plastic roller

Description: Roller with white tyre.
Roller Diameter: 46mm.
Suitable for 2" track
Application: Residential / Industrial



TW0003

Name: Nylon Roller
Unit: 1 piece
Weight: 0.128kg
Material: Zinc plated steel, plastic tyre

Description: roller with white tyre.
Roller Diameter: 46mm.

Max. load: 35 kg at 750.000 revolutions

Application: Residential / Industrial



Tower Industry

YOUR MANUFACTURING BASE IN CHINA

TW0004

Name: Nylon Roller
Unit: 1 piece
Weight: 0.186kg
Material: Zinc plated steel, plastic tyre

Description: roller with white tyre.
Roller Diameter: 46mm.
Supplier with a long shaft, suitable for doors wider than 5000mm with double side hinges.

Max. load: 35 kg at 750.000 revolutions

Application: Residential / Industrial

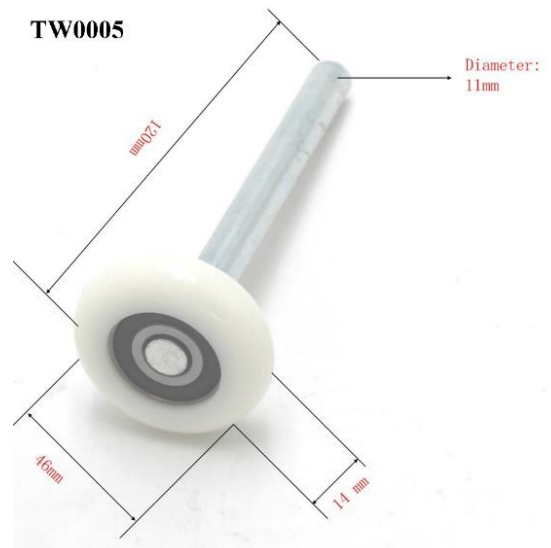


TW0005

Name: Nylon Roller
Unit: 1 piece
Weight: 0.130kg
Material: Zinc plated steel, plastic tyre

Description: roller with white tyre.
Roller Diameter: 46mm.

Application: Residential / Industrial

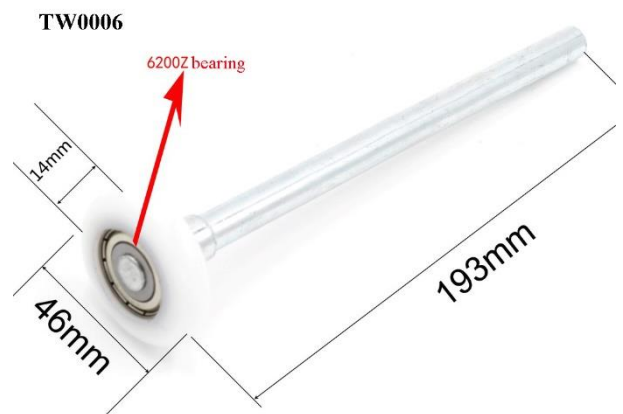


TW0006

Name: Nylon Roller
Unit: 1 piece
Weight: 0.186kg
Material: Zinc plated steel, plastic tyre

Description: roller with white tyre.
Roller Diameter: 46mm.

Application: Residential / Industrial

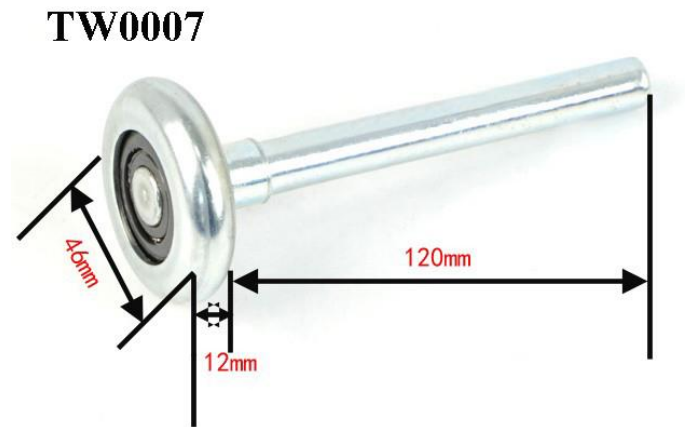


TW0007

Name: Steel Roller
Unit: 1 piece
Weight: 0.156 kg
Material: Zinc plated steel with steel tyre

Description: steel roller for usage in fireproof doors.
Suitable for 2" track
Max load: 45kg at 760.000 revolutions

Application: Residential / Industrial

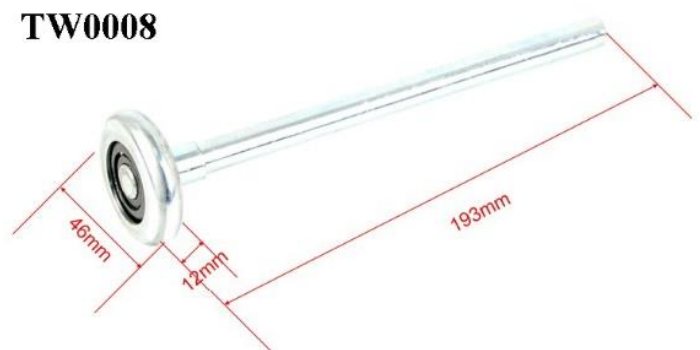


TW0008

Name: Steel Roller
Unit: 1 piece
Weight: 0.215 kg
Material: Zinc plated steel with steel tyre

Description: steel roller for usage in fireproof doors. Long shaft for doors wider then 5000mm with double side hinges.
Suitable for 2.5" track
Max load: 45kg at 760.000 revolutions

Application: Residential / Industrial



TW0009

Name: Steel Roller
Unit: 1 piece
Weight: 0.297 kg
Material: Zinc plated steel with steel tyre

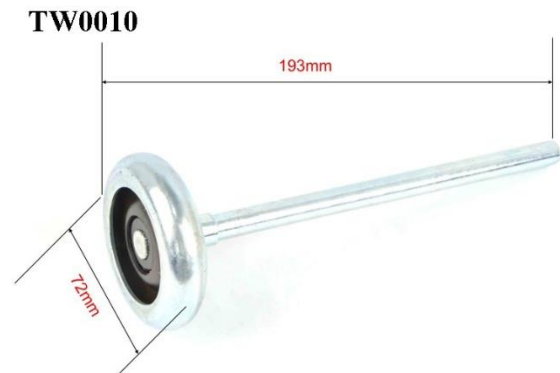
Description: steel roller for usage in fireproof doors.
Suitable for 3" track
Application: Residential / Industrial



TW0010

Name: Steel Roller
Unit: 1 piece
Weight: 0.331 kg
Material: Zinc plated steel with steel tyre

Description: steel roller for usage in fireproof doors.
Suitable for 3" track
Application: Residential / Industrial



TW0011

Name: Steel Roller
Unit: 1 piece
Weight: 0.218 kg
Material: Zinc plated steel with steel tyre

Description: Roller for 3" tracks.
Suitable for 3" track
Max. load: 90 kg at 372000 revolutions

Application: Industrial

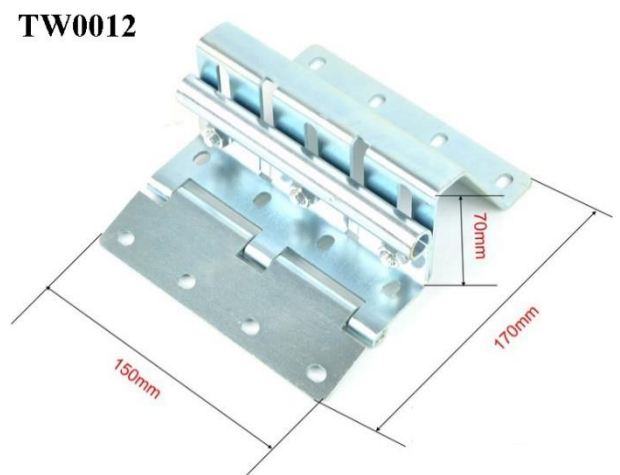


TW0012

Name: Double Side Hinge with Roller Carrier
Unit: 1 piece
Weight: 1.031 kg
Material: Zinc plated steel
Thickness: 2.5mm

Description: Double side hinge with roller carrier for standard panels without finger pinch protection.
For use with 11mm diameter roller

Application: Industrial



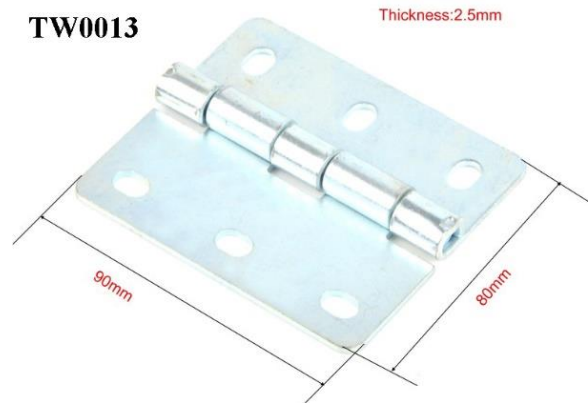
Tower Industry

YOUR MANUFACTURING BASE IN CHINA

TW0013

Name: Intermediate Hinge
Unit: 1 piece
Weight: 0.180kg
Material: Zinc plated steel
Thickness: 2.5mm

Application: Industrial

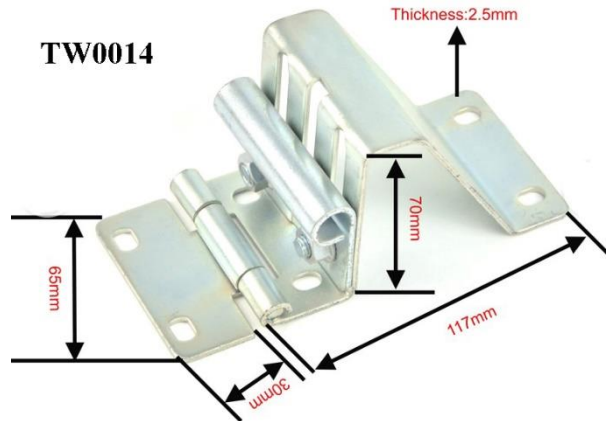


TW0014

Name: Side Hinge with Roller Carrier
Unit: 1 piece
Weight: 0.455kg
Material: Zinc plated steel
Thickness: 2.5mm

Description: Side hinge for standard panels without finger pinch protection. Suitable for 11mm rollers.

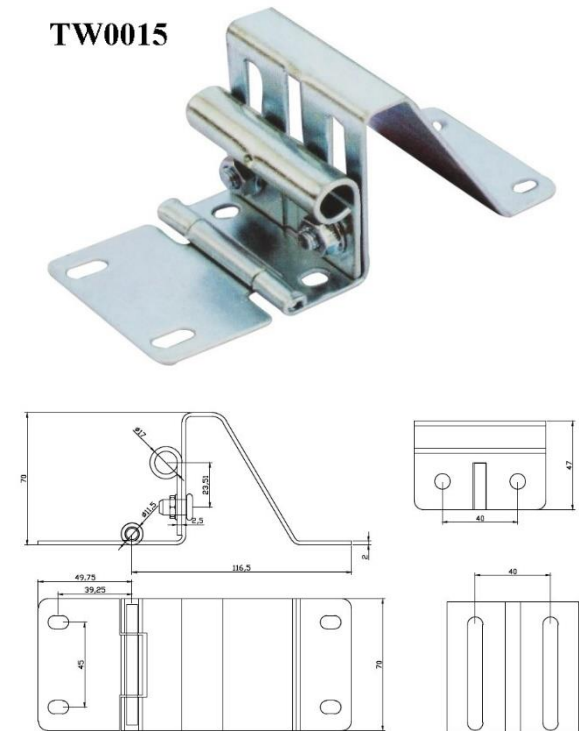
Application: Industrial



TW0015

Name: Side Hinge with Roller Carrier
Unit: 1 piece
Weight: 0.4kg
Material: Zinc plated steel

Application: Industrial



Tower Industry

YOUR MANUFACTURING BASE IN CHINA

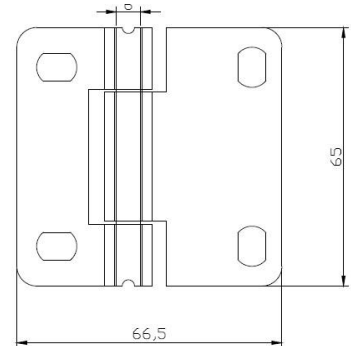
TW0016

Name: Residential Hinge
Unit: 1 piece
Weight: 0.110kg
Material: Zinc plated steel
Thickness: 2.0mm

Description: Suitable as side and intermediate hinge.

Application: Residential

TW0016



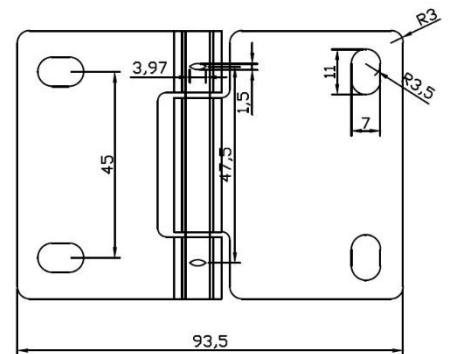
TW0017

Name: Residential Hinge
Unit: 1 piece
Weight: 0.125kg
Material: Zinc plated steel

Description: Suitable as side and intermediate hinge.

Application: Residential

TW0017



TW0018

Name: Residential Hinge
Unit: 1 piece
Weight: 0.134kg
Material: Zinc plated steel

Application: Residential

TW0018



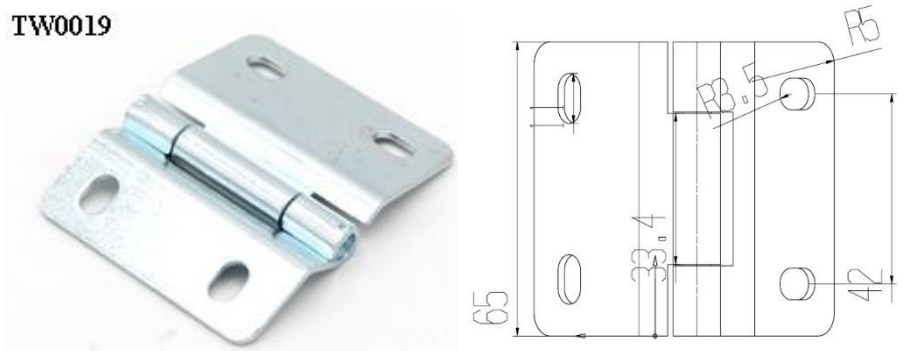
Tower Industry

YOUR MANUFACTURING BASE IN CHINA

TW0019

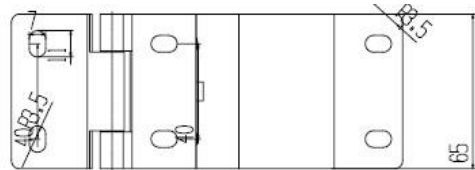
TW0019

Name: Residential Hinge
Unit: 1 piece
Weight:0.105kg
Material: Zinc plated steel
Application: Residential



TW0020

Name: Side Hinge with Roller Carrier
Unit: 1 piece
Weight:0.369kg
Material: Zinc plated steel
Application: Residential



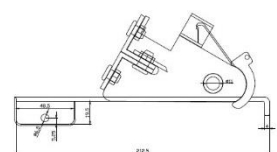
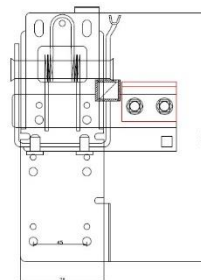
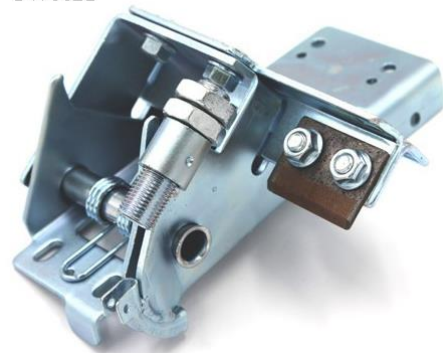
TW0021

Name: Adjustable Cable Break Device
Unit: pair
Weight:1.56kg
Material: Zinc plated steel /Cast Steel

Description: Industrial cable break device.
 With tube for 11mm roller.
 Maximum door weight: 750 kgs.
 With cable adjustment facility.
 Suitable for cable with steel end stud.

Application: Industrial

TW0021



Tower Industry

YOUR MANUFACTURING BASE IN CHINA

TW0022

Name: Adjustable Cable Break Device

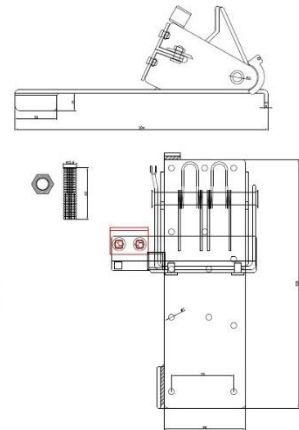
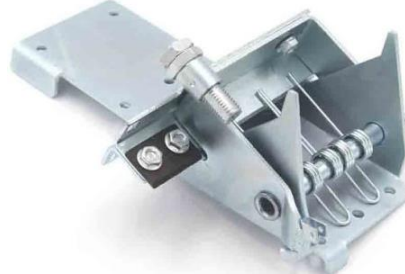
Unit: pair

Weight: 5.7kg

Material: Zinc plated steel

Application: Industrial

TW0022



TW0023

Name: Adjustable Bottom Bracket

Unit: pair

Weight: 0.86kg

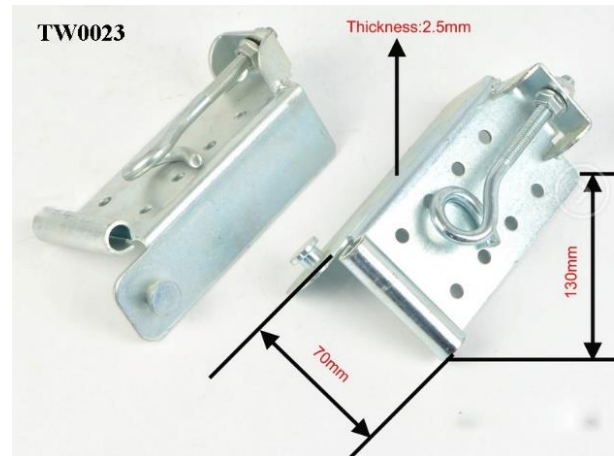
Material: Zinc plated steel

Thickness: 2.0mm-2.5mm

Description: Both left and right available
Use to adjust the elasticity of the steel cable

Application: Industrial

TW0023



TW0024

Name: Industrial Top Bracket

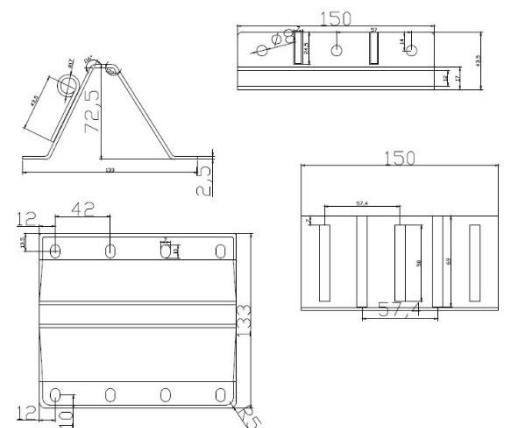
Unit: 1 piece

Weight: 0.80kg

Material: Zinc plated steel

Application: Industrial

TW0024



Tower Industry

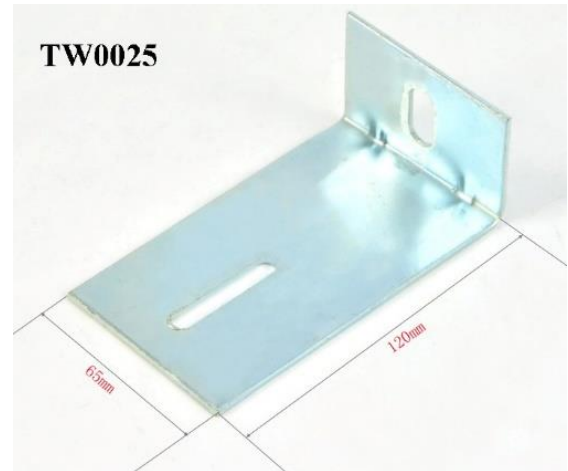
YOUR MANUFACTURING BASE IN CHINA

TW0025

Name: Jamb Bracket
Unit: 1 piece
Weight: 0.195kg
Material: Zinc plated steel
Thickness: 2.0-2.5mm

Description: the bracket is provided with slotted.
Holes and suitable for the fixing of the track

Application: Industrial

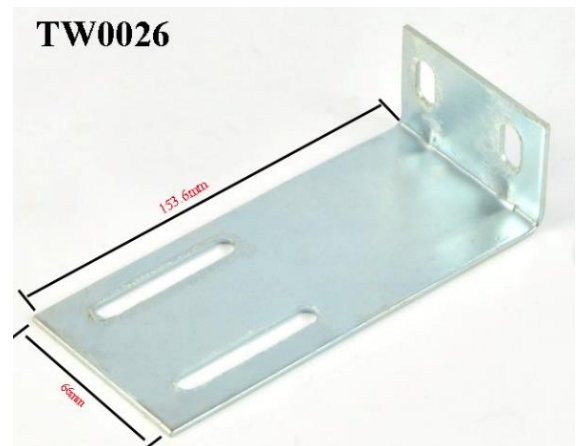


TW0026

Name: Jamb Bracket
Unit: 1 piece
Weight: 0.220kg
Material: Zinc plated steel
Thickness: 2.5mm

Description: The bracket is provided with slotted
Holes and suitable for the fixing of the track

Application: Industrial

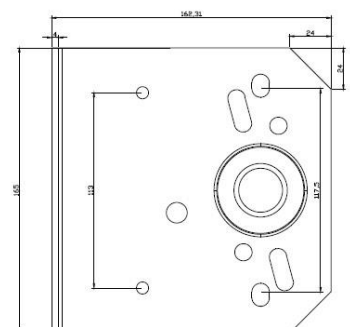
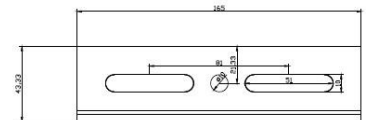


TW0027

Name: Intermediate Bearing Bracket(148mm)
Unit: 1 piece
Weight: 1.15kg
Material: Zinc plated steel

Description: Equipped with 1 1/4" wall mounted bearing.
Max. load: 130 kg/st.

Application: Industrial



Tower Industry

YOUR MANUFACTURING BASE IN CHINA

TW0028

Name: Intermediate Bearing Bracket(123mm)

Unit: 1 piece

Weight: 1.00kg

Material: Zinc plated steel

Description: Equipped with 1 1/4" wall mounted bearing.

Max. load: 150 kg/st.

Application: Industrial



TW0029

Name: Intermediate Bearing Bracket(110mm)

Unit: 1 piece

Weight: 0.890kg

Material: Zinc plated steel

Description: Equipped with 1 1/4" wall mounted bearing.

Max. load: 160 kg/st.

Application: Industrial



TW0030

Name: Industrial Joint Angle Iron

Unit: 1 piece

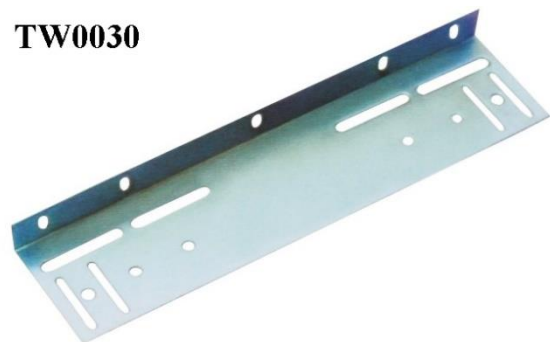
Weight: 1.000kg

Material: Zinc plated steel

Thickness: 2mm

Description: The angle iron is made of 2mm steel and is provided with slotted holes and suitable for the fixing of track.

Application: Industrial



Tower Industry

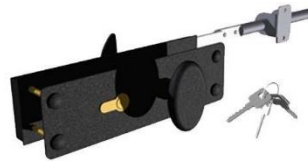
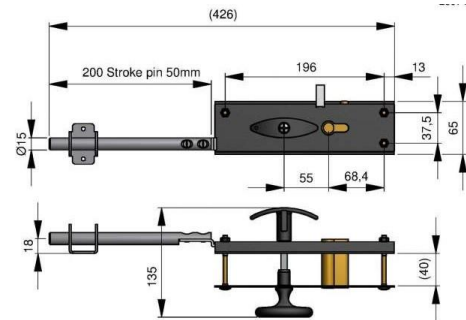
YOUR MANUFACTURING BASE IN CHINA

TW0031

Name: Multi-Function Handle & lock
Unit: Set
Weight: 1.000kg
Material: Zinc plated steel
Color: Black
 Included accessories

Application: Residential/Industrial

TW0031

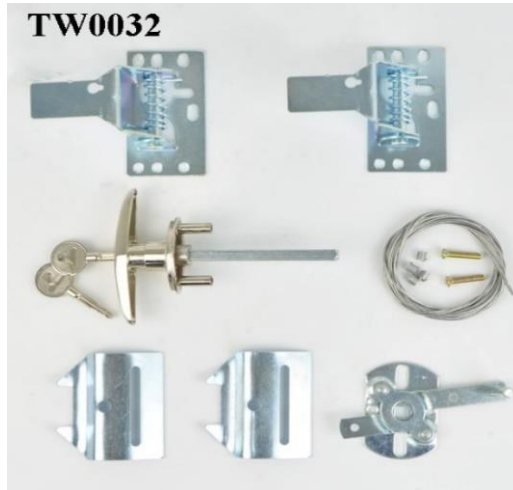


TW0032

Name: Manual Lock
Unit: Set
Weight: 0.760kg
Material: Zinc plated steel
Finish: Chrome plated
 Include hardware accessories,
 can open/closed the door

Application: Industrial

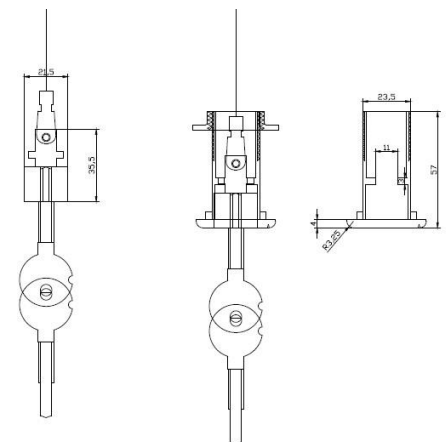
TW0032



TW0033

Name: Emergency Lock
Unit: Piece
Weight: 0.180kg
Finish: Chrome Plated
Application: Industrial

TW0033

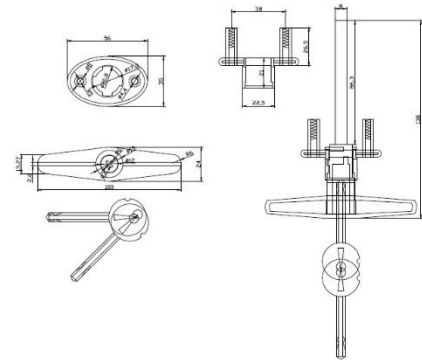


Tower Industry

YOUR MANUFACTURING BASE IN CHINA

TW0034

Name: T-type Locks
Unit: Piece
Weight: 0.220kg
Include lock mechanism,
4" long square shaft
and 2 keys
Shaft: Zinc Plated
Lock: chrome plated



Application: Industrial

TW0035

Name: Lock Wall
Unit: Piece
Weight: 0.200kg
Material: Zinc plated steel
Lock points with no cover and cover
Lock+wall tube+Hose
Shaft: Zinc Plated
Lock: Chrome plated



Note:

All products are based on our actual products and specifications.