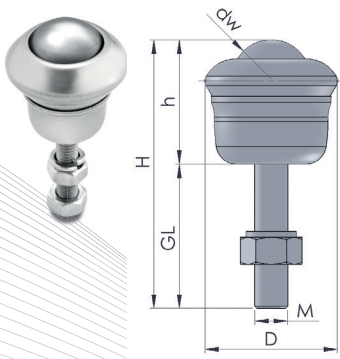


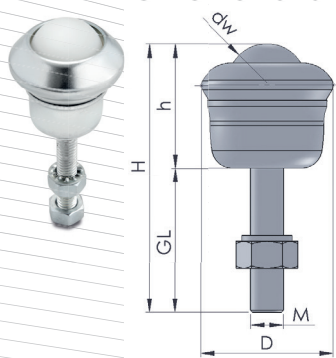


Ball transfer with threaded bolts

- KR-G series of ball transfer units: with threaded bolts
- KR-G = galvanized steel plate housing with steel ball
- KR-GVA = all parts from stainless steel
- KR-G-KU = galvanized housing with plastic ball
- all load-carrying capacity specifications are valid for use with an upright ball
- the load capacity decreases for overhead installations
- seals for more demanding requirements can also be supplied at an additional cost when needed



ball transfer series KR-G	dw mm	D mm	H mm	h mm	GL mm	thread	load-carrying capacity kg
KR-G-20 Ident No.: 0014733	19	32.1	75.2	30.2	45	M8	25
KR-G-25 Ident No.: 0014736	25.4	39.7	82.7	39.7	43	M8	55
KR-G-40 Ident No.: 0014739	39.7	55.5	96.8	54.8	42	M10	140
KR-GVA-20 Ident No.: 0014735	19	32.1	65.2	30.2	35	M8	25
KR-GVA-25 Ident No.: 0014738	25.4	39.7	72.7	39.7	33	M8	55
KR-GVA-40 Ident No.: 0014740	39.7	55.5	96.8	54.8	42	M10	140



ball transfer series KR-G-KU	dw mm	D mm	H mm	h mm	GL mm	thread	load-carrying capacity kg
KR-G-20-KU Ident No.: 0014734	19	32.1	65.2	30.2	35	M8	20
KR-G-25-KU Ident No.: 0014737	25.4	39.7	82.7	39.7	43	M8	25