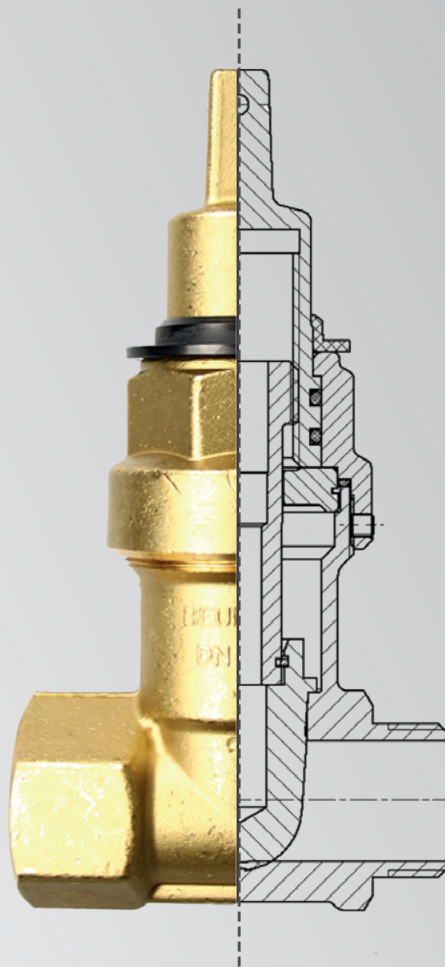


Gate Valves.



■ made
■ in
■ Germany

C

**CLOSE
AND
OPEN.**

BEULCO gate valves enable the safe locking of parts of conduit nets or pipeline systems. The valves are designed in a way that the overwinding or breakage of spindles is not possible.

Dimensions:

- 1" - 2"

Applications:

- Drinking water
- Water

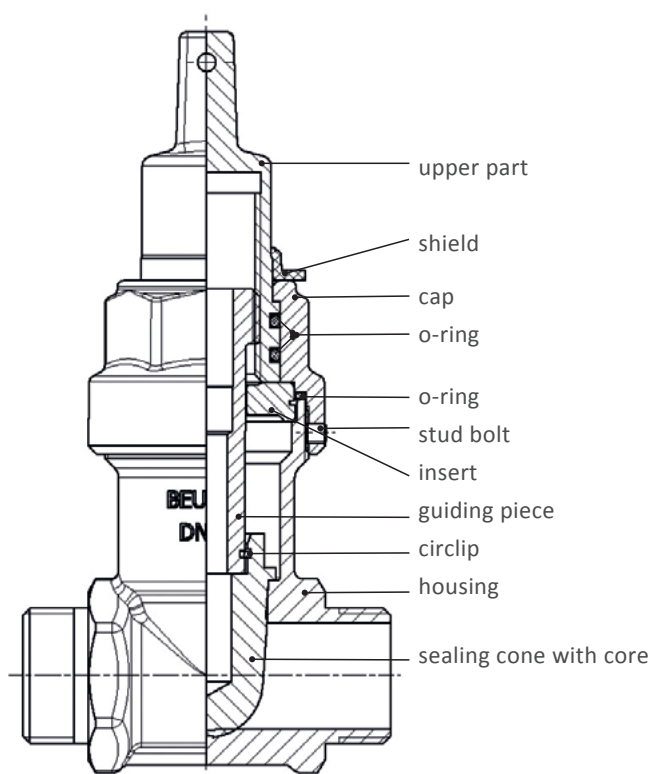
Material

All components that come into contact with drinking water consist of high-quality material conform to the list of the UBA (= German Federal Environment Agency). The material is suited for being installed in drinking water systems and meets the legal requirements (European Drinking Water Directive 98/83/EC, German Federal Environment Agency). The reliable material provides high durability.

Advantages

- tested in our factory for 100% impermeability (25 bar)
- tested in our factory for 100% function reliability
- without gland – with double o-ring seal in the upper part
- destruction of the conical nipple by closing force is not possible
- a shield prevents the penetration of foreign substances
- full passage
- practice-oriented combinations are possible
- BEULCO gate valves are available with different connections
- maintenance-free function

Construction





GATE VALVE
Model 8010 / 8020 / 8030 / 8040

with thread connections

Item may differ from the picture.

Nominal diameter	thread	D	W	pkg. unit	EAN no. 4027848-
NW 1" Model 8010	1" male x 1" male	●	●	1	135004
	1" female x 1" female	●	●	1	135028
	1" male x 1" female	●	●	1	135035
	1 1/4" male x 1 1/4" male	●	●	1	135011
NW 1 1/4" Model 8020	1 1/4" female x 1 1/4" female	●	●	1	135219
	1 1/4" male x 1 1/4" female	●	●	1	135226
	1 1/2" male x 1 1/4" female	●	●	1	135233
	1 1/2" male x 1 1/2" male	●	●	1	135202
NW 1 1/2" Model 8030	1 1/2" female x 1 1/2" female	●	●	1	135363
	1 1/2" male x 1 1/2" female	●	●	1	135387
	2" male x 1 1/2" female	●	●	1	135370
NW 2" Model 8040	2" female x 2" female	●	●	1	135486
	2" male x 2" female	●	●	1	135509
	2 1/2" male x 2" female	●	●	1	135493



GATE VALVE
Model 8350

both sides with plug-in fittings (product group A11) for plastic pipe connection

Item may differ from the picture.

Nominal diameter	plastic pipe dimension (mm)	D	W	pkg. unit	EAN no. 4027848-
NW 1"	32	●	●	1	368037
NW 1 1/4"	40	●	●	1	368044
NW 1 1/2"	50	●	●	1	368051
NW 2"	63	●	●	1	368068

APPLICATION D ● = Drinking water
W ● = Water



GATE VALVE
Model 8111 / 8121 / 8141

with male or female thread and tightly mounted connector of product group A2 for plastic pipe connection

Item may differ from the picture.

Nominal diameter	plastic pipe dimension (mm)	thread	D	W	pkg. unit	EAN no. 4027848-
NW 1" Model 8111	32 x 2,9/3	1" male	●	●	1	135059
	32 x 2,9/3	1" female	●	●	1	135110
	40 x 3,6/3,7	1 1/4" male	●	●	1	135097
NW 1 1/4" Model 8121	40 x 3,6/3,7	1 1/4" female	●	●	1	135301
	50 x 4,5/4,6	1 1/2" male	●	●	1	135288
NW 2" Model 8141	63 x 5,7/5,8	2" female	●	●	1	135554

On request, the models 8111, 8121 und 8141 are also available with mounted connectors of product group A3.



GATE VALVE
Model 8135

with male thread and tightly mounted connector of product group A3 for plastic pipe connection

Item may differ from the picture.

Nominal diameter	plastic pipe dimension (mm)	thread	D	W	pkg. unit	EAN no. 4027848-
NW 1 1/2"	63	2" male	●	●	1	177936



GATE VALVE
Model 8212 / 8222 / 8232 / 8242

with tightly pressed socket of product group A2 for plastic pipe connection (complete with forcing nuts, insert pipe and plastic clamping rings)

Item may differ from the picture.

Nominal diameter	plastic pipe dimension (mm)	D	W	pkg. unit	EAN no. 4027848-
NW 1" Model 8212	32 x 2,9/3	●	●	1	135158
	40 x 3,6/3,7	●	●	1	135172
NW 1 1/4" Model 8222	50 x 4,6	●	●	1	177875
NW 1 1/2" Model 8232	63 x 5,8	●	●	1	191697
NW 2" Model 8242	75 x 6,8	●	●	1	191703



INSTALLATION SET

Model 8061

for gate valves, tapping valves, etc.
with square tool, cap, protecting pipe, cover and rubber disc for sealing

Item may differ from the picture.

for pipe cover	pkg. unit	EAN no. 4027848-
1,00 m	1	135592
1,25 m	1	135608
1,50 m	1	135615



TELESCOPE INSTALLATION SET

Model 8063

continuously variable for gate valves, tapping valves etc.
with square tool, coupling sleeve, extension safety device, cap, protecting pipe and integrated rubber sealing against water and debris, rods and cast parts completely zinc-coated

Item may differ from the picture.

for pipe cover	pkg. unit	EAN no. 4027848-
0,75 - 1,00 m	1	243150
1,00 - 1,50 m	1	243105
1,30 - 1,80 m	1	243167



CLIP PIN MADE OF STAINLESS STEEL

Model 8064

spare part for square tool for model 8063

Item may differ from the picture.

dimension (mm)	pkg. unit	EAN no. 4027848-
3,5 x 30	1	277162

APPLICATION D ● = Drinking water
 W ● = Water

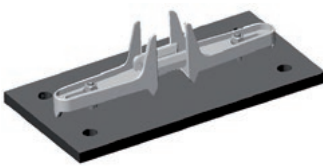


VALVE HOLDER
Model 8080

consisting of two identical components

Item may differ from the picture.

valve holder	pkg. unit	EAN no. 4027848-
packed in pairs	1	135622



MOUNTING PLATE
Model 8081

for valve holder, incl. fastening set
 (please order valve holder separately)

Item may differ from the picture.

mounting plate	pkg. unit	EAN no. 4027848-
made of plastic for valve holder	1	275564



SERVICE TOOL
Model 8090

for gate valve and installation sets model 8061 and 8063

Item may differ from the picture.

service tool	pkg. unit	EAN no. 4027848-
length 550 mm, opening of the square tool 14-15 mm	1	135639

