



Remember

We appreciate your purchase!
Please read the instruction manual before installation and keep it handy for future reference.



Applications

Luminaire with high purity, high brightness cast aluminum heatsink, Seoul + Prolight SMD chip, with a constant current Inventronics driver. Its light below 400nm (ultra-violet) and far infrared (730nm) guarantee quality and quantity in production. The P17 spectrum powers 400nm ideal for full cycle. The P34 spectrum powers 660nm ideal for flowering or utoflowering. With a maximum intensity at 400nm. Designed to provide beneficial photomorphogenic responses, low stress and higher THC content.



Problem resolution

Problem	Possible Cause	Solutions
LED does not work	The network cable is not connected	Connect the network cable.
	The plug is loose	Connect it firmly to the power outlet.
	The LED driver doesn't work	Replace the driver with a new one.
LED light turns on and off	The LED chip is damaged	It can be repaired only by Venalsol.
	Driver output is not normal	Replace the driver with a new one.
	The LED chip doesn't work	It can be repaired only by Venalsol.



Warranty

Venalsol guarantees its products, within the general conditions of supply, provided that it is a manufacturing or material defect for a period of five years from the date of purchase. The guarantee consists in the repair / replacement of the parts or assemblies that are considered defective. It will therefore not apply to items that are damaged as a result of not having correctly followed the instructions for use, or when the installation has been carried out by non-specialized personnel. Likewise, damages caused by improper use of the device and damage caused by transport are excluded.

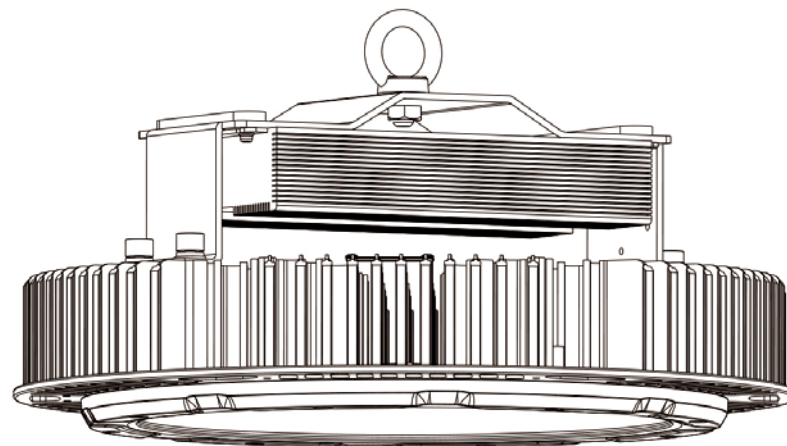
To make a warranty claim, it is necessary to notify your seller in writing, provide a purchase invoice and comply with the other warranty requirements. It will always be necessary to return the damaged product with its original identification plate of Venalsol Smart Light and its serial number. Transportation costs are excluded.

1. The decision of whether the product is defective will be taken by Venalsol, which will check the product's malfunction. If Venalsol verifies that the product is defective, it will decide whether to repair or replace it with a new one. Venalsol reserves the right to use new or repaired products in the process of repair or replacement of the product under warranty. The product that has been repaired or replaced will be guaranteed during the original warranty period that remains. The cost of personnel and the cost of the machinery necessary for replacement is excluded. Venalsol's total responsibility for the defective product will always be limited to the money paid by the buyer for that product originally.

2. In case of request of a product in good condition, prior to the shipment of the defective product, in order to facilitate the replacement work, Venalsol may agree to supply it and it will be invoiced. This invoice will be paid if applicable, once the product allegedly damaged has been received and verified. If the warranty requirements are not met, or the damaged material is not received, after 60 days of the previous replacement, the invoice will be charged.

The warranty will not cover the following circumstances:

1. Damage caused by force majeure such as wars, revolts, sabotage, cyclones, earthquakes, floods, explosions, fires, etc.
2. Damage caused by improper use during the delivery period, defects caused by misuse, wrong treatment or destruction of machinery.
3. Disassembly, modification or improper maintenance of repaired products without authorization from the supplier.
4. Damage caused by the buyer or installer using poor quality wiring or other components not compatible with the product.
5. This warranty is not valid if the product is used for different purposes for which it was originally designed.



Read the instructions carefully before starting to use the product.

600W

Venalsol Smart Light S.L.

C/ Garbí nº15. - Polígono Industrial Palma de Gandía - 46724 - Palma de Gandía
Valencia (España) - Customer support: +34 962 808 219 info@venalsol.com



< TECHNICAL SHEET

www.venalsol.com

All rights reserved - Copyright ©2017



Connection precautions.

1. Disconnect the power supply before installing or maintaining the luminaire.
2. It is strictly mandatory to connect the ground wire (Yellow / Green) with the ground connection of the installation.
3. Do not touch the power supply when the lamp is running.
4. To avoid damage, electric shock or fire, do not disassemble or replace the lamp (PCB CHIP LED).
5. To avoid damage, falls, electric shock or fire, please do not modify or replace the original accessories with others that are not, without consulting and being authorized by Venalsol in advance.
6. Only qualified personnel can replace or install the luminaire and make sure that you follow the instructions in the manual. If the installation is not done properly, it may cause falls, electric shock, fire or other damage.
7. Disconnect the power supply if smoke comes out or produces an odor, as it could cause a fire or electric shock.
8. Consult qualified personnel for the inspection and maintenance of the lamp.
9. If the luminaire's own wiring is damaged, it can only be replaced by Venalsol.



Applicable regulations



It has passed the necessary tests and verifications to obtain the CE Mark. This product complies with the application standards for Low Voltage (LVD) 2014/35 / EU: EN60598-1: 2015, EN60598-2-24: 2013, EN60598-2-1: 1989, EN62031: 2008, EN62471: 2008, EN62493: 2010 and Electromagnetic Compatibility (EMC) 2014/30 / EU: EN61000-3-2: 2014, EN61000-3-3: 2013, EN61547: 2009, EN55015: 2013.

This symbol indicates that the product at the end of its useful life must be disposed of separately from other waste, since it is identified as an electrical or household appliance according to Royal Decree 208/2005. Therefore, at the end of use, you must take care of delivering the product to a selective collection center or an authorized waste manager. Venalsol is registered in the National Registry of Electrical and Electronic Devices with registration number 3493 and is attached to a Waste Management System of Electrical and Electronic Devices for products with the category of "lighting equipment".



Venalsol LED luminaires are environmentally friendly. They do not contain mercury and the electronic components used comply with the provisions of the RoHS regulation transposing Royal Decree 208/2005.



Technical Parameters

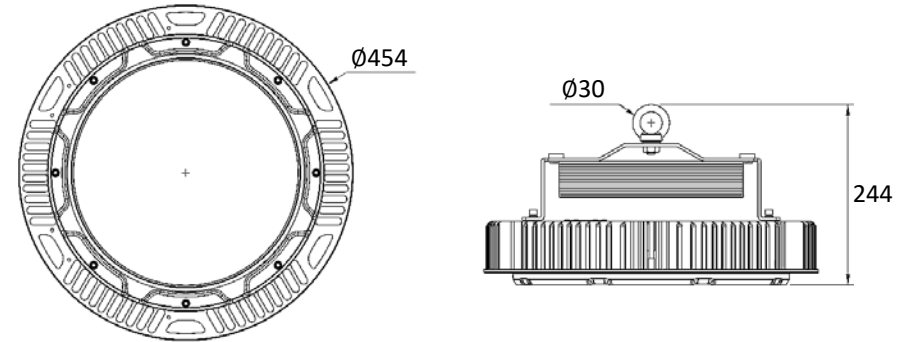
Product specifications	600W
Input voltage	AC100-277V 50/60Hz Class I (Need grounding)
Spectrum composition	(P17) Seoul + Prolight Opto LED / (P17) Seoul + Prolight Opto LED
Luminous flux	1260µMol/s
Light Beam Angle	120°
IP Rating	IP65
Dimensions (mm)	Ø454 x 244 mm
Net weight of the luminaire	11.9 ± 0.3kg
Power factor	0.95
Operating temperature	0 ~ +40°C
Operating humidity	15% ~ 90%RH
Storage temperature	-40 ~ +70°C



Installation Instructions

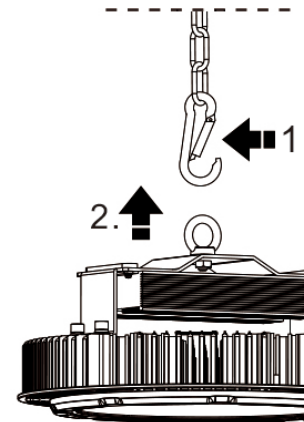
A. Dimensions and installation of the suspended luminaire.

PHYSICAL DIMENSIONS

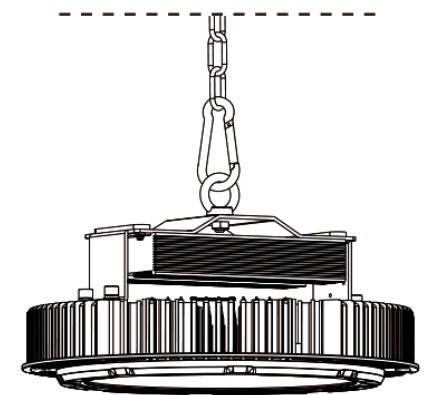


Dimensions expressed in mm

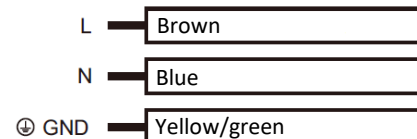
1.



2.



Wiring diagram



IMPORTANT - DIM CONNECTION

The luminaire can be regulated by a control signal of 1-10Vcc.
IN THE EVENT OF NOT USING THE REGULATION, IT IS RECOMMENDED TO ISOLATE AND SUBJECT THE TERMINATIONS OF THIS CONNECTION, TO AVOID CONTACT.

