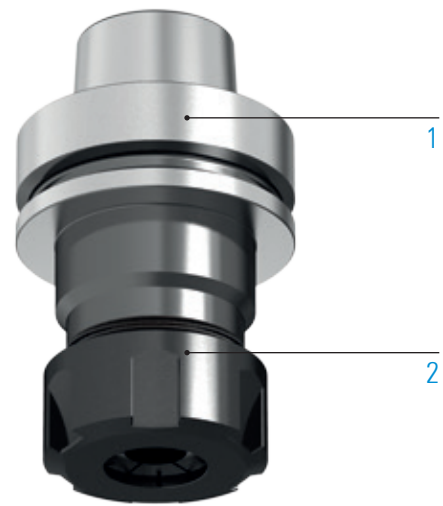


# TOOL HOLDER

## TECHNICAL DATA



Weight about 1 kg

### STANDARD DESIGN

- 1  Machine Connection  
HSK - F63
- 2  Output spindle  
Collet chuck ER32

## ADDITIONAL OPTIONS: MODULAR DESIGN

1



### MACHINE CONNECTION



HSK - F63

 For further information see p. 106

2



### OUTPUT SPINDLE



Collet chuck  
ER32



Centring Ø40



BENZ  
Solidfix® S3

 For further information see p. 108

### MACHINING



Drilling



Milling



Sawing

### SPECIFICATIONS



Number of  
output spindles



Axis angle

### ORDER DIRECTLY



Inquiry form:  
[www.benz-tools.de/en/products](http://www.benz-tools.de/en/products)