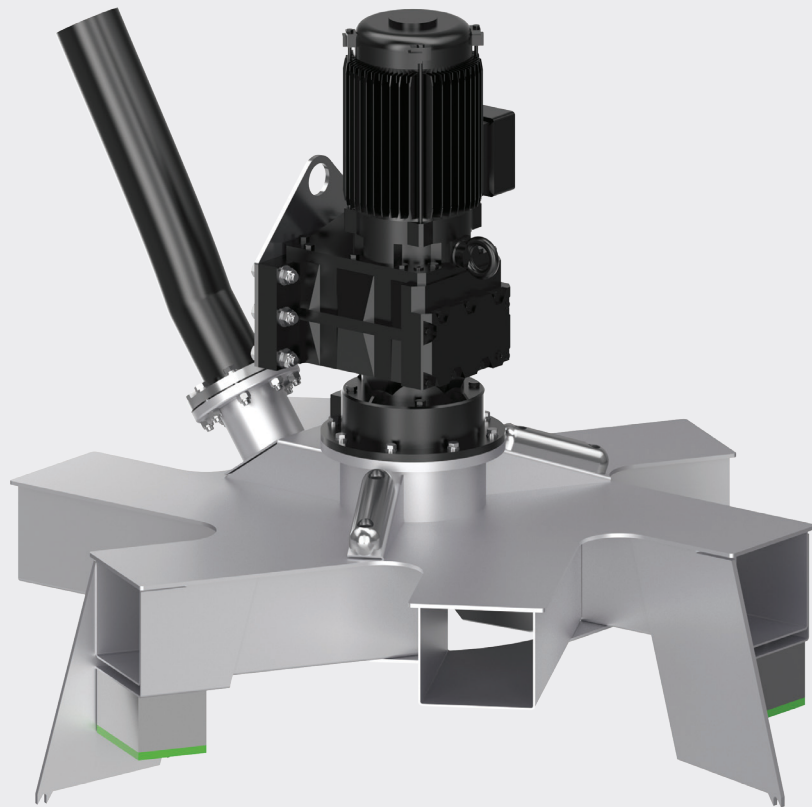


SUBMERSIBLE
AERATOR



SOFIE[®]

SUBMERGED FLOOR MOUNTED AERATOR



AERATION AND EFFLUENT
TREATMENT



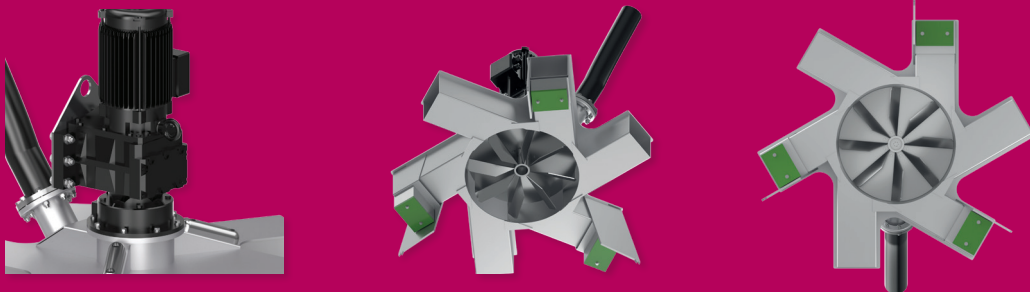
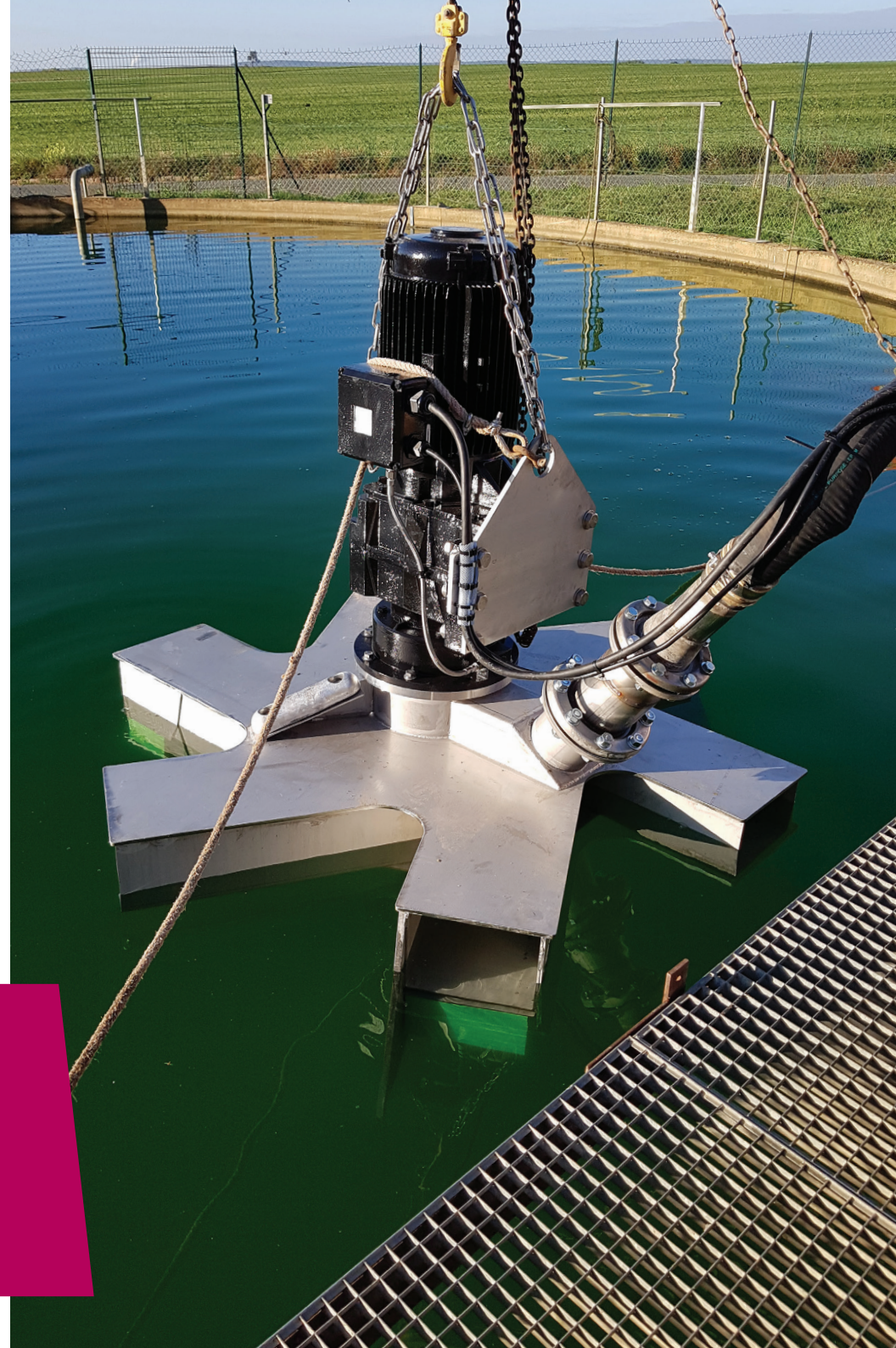
MAIN CHARACTERISTICS

Submerged turbine operating at low speeds combined with an air blower for oxygen input.

The Sofie® Submersible Aerator/Agitator is a mixing unit for extremely challenging applications. The units minimise blocking or clogging, the Sofie® can be used as an aerator or an agitator for wastewater treatment.

Sofie® is designed to be installed at the base of tanks and to operate either in aeration or in a mixing mode.

Sofie® is a good alternative to mechanical fine bubble aerators and is suitable for ponds with oxygen or mixing requirements.



ADVANTAGES

LOW ENERGY CONSUMPTION

SIMPLE MAINTENANCE OF ROTOR AND GEAR MOTOR

MAINTENANCE WITHOUT EMPTYING THE POND (CRANE SYSTEM)

SUITABLE FOR DEEP PONDS AND LAGOONS

MINIMAL NOISE WHEN OPERATING

DELIVERED READY TO USE, PRE-ASSEMBLED AND ELECTRICALLY CABLED READY FOR CONNECTION

EASY AND SIMPLE INSTALLATION AT THE BASE OF ANY POND OR LAGOON, AND INSTALLED IN SITU WITHOUT INTERRUPTING THE PROCESS

SUITABLE FOR CONTINUOUS AND INTERMITTENT OPERATION PROCESSES

CAN BE USED AS AN AERATOR AND OR AGITATOR DEPENDING ON PROCESS REQUIREMENTS

IP68 ENCLOSURE MOTORS

SOPHIE® HAS THE ATTRIBUTES OF COMBINING ROBUSTNESS WITH RELIABILITY

TURBINE DELIVERED READY TO USE

LOW MAINTENANCE

COMPONENTS

304L OR 316L

- Sofie® is essentially composed of a specially designed stainless steel blade rotor,
- housed in a vacuum casing with ejection channels. The rotor is driven by a submersible geared motor. The housing is connected to a central compressed air supply via a flexible tube.
- The manufacture of the geared motor, the choice of materials and an extremely high service factor which guarantees the performance and reliability of Sofie® turbines.
- Power range from 4 KW to 37 KW



RENTAL
EQUIPMENT

Power (kW)	Rotation speed (trm/min)	In (400V)	Cos phi	Capacity (m³/min)	Diameter air tube	Weight	Height if unit (mm)	Height including lifting chain (mm)
4	107	8,4	0,83	28	DN100	625	1524	1796
7,5	107	15,3	0,81	48	DN100	647	1625	1928
11	95	22,6	0,81	58	DN150	763	1717	1945
15	95	29,5	0,83	67	DN150	924	1717	1945
18,5	94	37,5	0,81	69	DN150	1050	1745	2102
22	94	41,5	0,85	72	DN150	1080	1846	2102
30	94	56	0,85	95	DN200	1164	1891	2147
37	102	63	0,89	104	DN200	1485	2107	2411

A STEP AHEAD IN WATER TECHNOLOGY

sfa-enviro.com

 [@sfa_enviro](https://twitter.com/sfa_enviro)

 **SFA** GROUP

