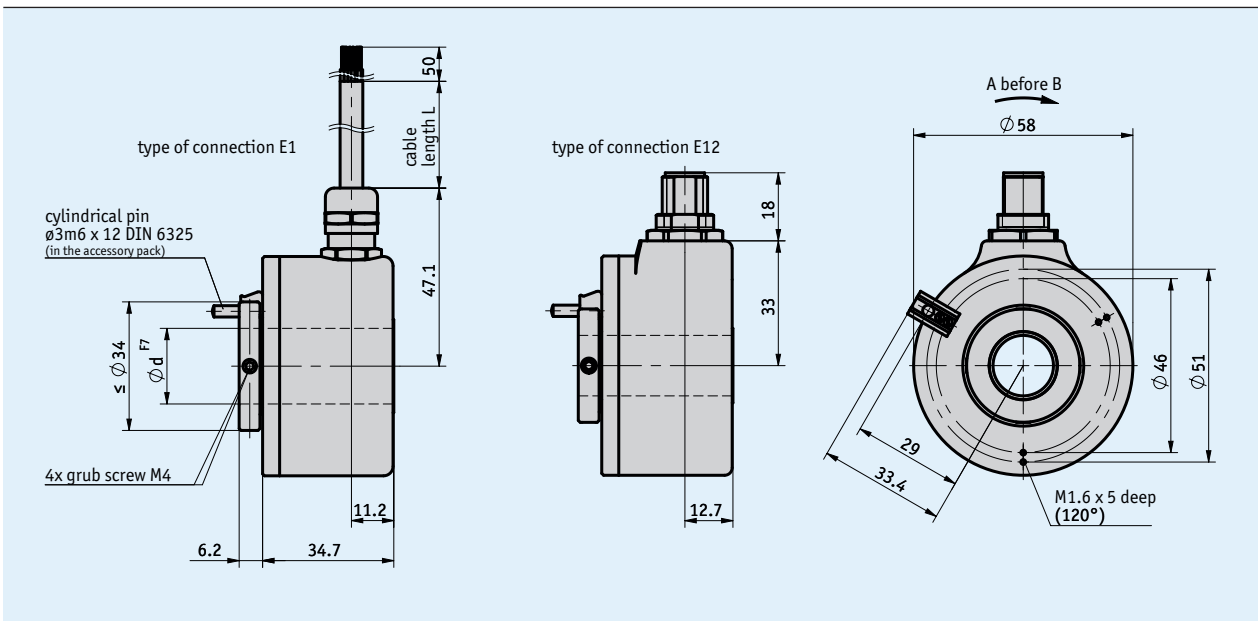


### Profile

- Resolution max. 5000 pulses/revolution
- Through hollow shaft up to max.  $\varnothing 28$  mm
- M12 or cable connection



### Mechanical data

Feature	Technical data	Additional information
Shaft	steel	
Housing	aluminum	
Speed	$\leq 2500$ rpm	
Moment of inertia	$\sim 3.5 \times 10^{-6}$ kgm <sup>2</sup>	
Starting torque	$< 0.1$ Nm at 20 °C	
Cable sheath	PVC	$\varnothing 4.5$ mm
Cable bending radius	27 mm	static
	68 mm	dynamic
Weight	$\sim 0.4$ kg	

## Electrical data

### ■ OP output circuit

Feature	Technical data	Additional information
Operating voltage	8 ... 30 V DC	reverse-polarity protected
Current consumption	typical 40 mA	≤100 mA (no load)
Output signal level high	≥UB - 3.0 V	short-circuit proof
Output signal level low	≤2.5 V	short-circuit proof
Pulse frequency	≤200 kHz	
Load	±40 mA	max. adm.
Type of connection	open cable end 1x M12 connector	8-pole, 1x pin

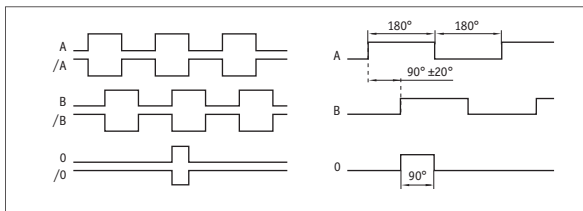
### ■ LD5 output circuit

Feature	Technical data	Additional information
Operating voltage	5 V DC	reverse-polarity protected
Current consumption	typical 40 mA	≤90 mA (no load)
Output signal level high	≥2.5 V	short-circuit proof
Output signal level low	≤0.5 V	short-circuit proof
Pulse frequency	≤300 kHz	
Load	±20 mA	max. adm.
Type of connection	open cable end 1x M12 connector	8-pole, 1x pin

### ■ LD24 output circuit

Feature	Technical data	Additional information
Operating voltage	8 ... 30 V DC	reverse-polarity protected
Current consumption	typical 40 mA	≤90 mA (no load)
Output signal level high	≥2.5 V	short-circuit proof
Output signal level low	≤0.5 V	short-circuit proof
Pulse frequency	≤300 kHz	
Load	±20 mA	max. adm.
Type of connection	open cable end 1x M12 connector	8-pole, 1x pin

### ■ signal pattern



## Ambient conditions

Feature	Technical data	Additional information
Ambient temperature	-20 ... 70 °C	at speed ≤2000 min <sup>-1</sup>
	-20 ... 60 °C	at speed ≤2500 min <sup>-1</sup>
EMC	EN 61000-6-2	interference resistance / immission
	EN 61000-6-3	emitted interference / emission
Protection category	IP64	EN 60529
Shock resistance	1000 m/s <sup>2</sup> , 6 ms	EN 60068-2-27
Vibration resistance	100 m/s <sup>2</sup> , 35 ... 2000 Hz	EN 60068-2-6

## Pin assignment

Signal	E1	E12
GND	white	1
+UB	brown	2
A	green	3
/A	yellow	4
B	gray	5
/B	pink	6
0	blue	7
/0	red	8

## Order

### Ordering table

Feature	Ordering data	Specification	Additional information
Pulses/revolution	... <b>A</b>	50, 100, 125, 250, 400, 500, 512, 1000, 1024, 2000, 2048, 5000	
Type of connection	<b>E1</b> <b>E12</b> <b>B</b>	open cable ends plug	
Cable length	... <b>C</b> <b>OK</b>	01.0 in m without	only with E1 only with E12
Output circuit	<b>OP</b> <b>LD5</b> <b>LD24</b> <b>D</b>	Push-pull with inversion LineDriver, 5 V LineDriver, 8 ... 30 V	
Hollow shaft/diameter	... <b>E</b>	16, 20, 24, 28 in mm	

### Order key

IH5828 - **ABO** -  -  -  -  -

**Scope of delivery:** IH5828, Quick Start Guide

#### Accessories:

Electronic display MA10/4

Electronic display MA48

Electronic display MA55

Cable extension KV08S2

Mating Connector Overview

Mating connector, 8-pole, socket

[www.siko-global.com](http://www.siko-global.com)

[www.siko-global.com](http://www.siko-global.com)

[www.siko-global.com](http://www.siko-global.com)

[www.siko-global.com](http://www.siko-global.com)

[www.siko-global.com](http://www.siko-global.com)

Order key 83525