

## Trim Style Anodized Aluminum Hydraulic Overhead Door Closer

### FEATURES:

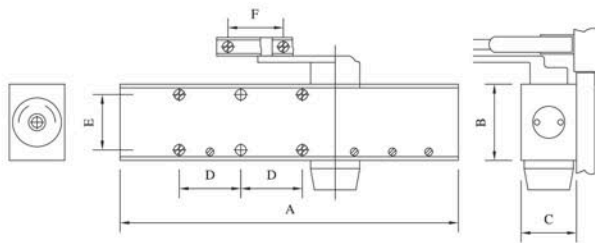
- \* Non-handed installation
- \* Universal application
- \* Stable hydraulic fluid for any climatic operation
- \* Hardened piston & spindle for high strength
- \* Easily adjust screws to control speed of closing & latching
- \* Silver, Brown, Gold Anodized finish available
- \* 500,000 life cycles guaranteed
- \* 1 hour fire rated

### Optional function:

- \* Delayed action
- \* Back check
- \* Hold-open
- \* 3 hours fire rated

### Adjustable Power Models:

- \* 984V (#2 - #4)
- \* 986V (#2 - #6)
- \* 73V (#2 - #4)
- \* 83V (#2 - #4)



MODEL	A	B	C	D	E	F
732A / 733A / 734A / 181 / 182 / 183 981 / 982 / 983	207	55	40	50	39	45
732B / 733B / 734B	207	60	38.5	50	43	45
73A.V2-4 / 984V2-4	236	55	40	50	39	45
73B.V2-4	236	60	38.5	50	43	45
984 / 985 / 986	246	62	44	50	45	45
986V2-6	275	62	44	50	45	45
834 / 835 / 836 / 184 / 185 / 186	246	62	45	50	45	45
83V2-6	275	62	45	50	45	45

MODEL	MAX. door width (mm)	MAX. door weight (kgs)
981 / 181	900	30
732A / 732B / 982 / 182	900	45
733A / 733B / 983 / 183	900	65
734A / 734B / 73A.V2-4 / 73B.V2-4 / 984 / 984V2-4 / 834 / 184	1100	85
985 / 835 / 185	1250	110
986 / 986V2-6 / 83V2-6 / 186	1450	150

(mm)

# Door Closer

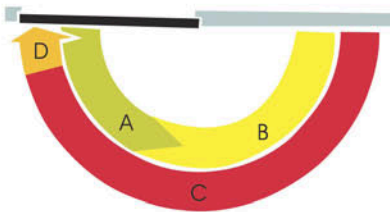
Available Arm for door closer #180, #730, #830, #980 series



**FEATURES:**

- a. Standard hold open Arm for 180 series
- b. Heavy duty hold open Arm for 180 series
- c. European type Arm, Forged Steel
- d. European type Arm, Steel
- e. Forged Steel Arm for force 1/2/3
- f. Forged Steel Arm for force 4/5/6
- g. Steel Arm for 980 series force 1/2/3

## Drawing of Backcheck



**FEATURES:**

- A. Regular opening from 0°- 70°
- B. Back check from 70°- 180°
- C. First adjustable closing range from 180°- 15°
- D. Second adjustable closing range from 15°- 0°

## A330 / A331 / A332 / A333 / A334



**FEATURES:**

- \* Non-handed installation
- \* Universal application
- \* Adjustable closing & latching speed
- \* Stable hydraulic fluid for 0 - 40°C climate
- \* Back check / hold-open optional function
- \* Silver, bronze, golden, black, white finish available

MODEL	For Door Dim.(mm) / Weight Max.(kg)		
	MAX.width	MAX.height	Max.Weight
A330	800	2000	50
A331	900	2100	55
A332	950	2200	65
A333	1050	2300	80
A334	1100	2400	100

MODEL	A	B	C	D	E	F	G
A330	150	133	38	20	43	230	55
A331	175	163	45	20	43	230	65
A332	205	188	45	20	43	280	70
A333	205	188	45	20	43	290	70
A334	225	208	45	20	43	290	70



280



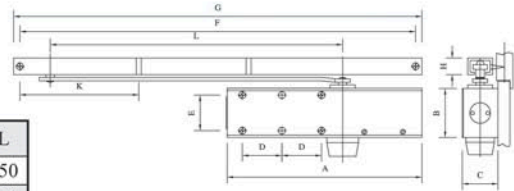
Sliding Arm

**FEATURES:**

- \* Surface Mounted Door Closer-Sliding Arm Type
- \* Track Arm With Hold-open
- \* Non-handed installation
- \* Universal Application
- \* Adjustable closing & latching speed
- \* Force 2-5 available for door weight 45-110kgs
- \* 1 hour fire rated
- \* 3 hours fire rated for optional order

MODEL	MAX. door width(mm)	MAX. door weight(kgs)
281	900	30
282	900	45
283	950	65
284	1100	85
285	1250	110

MODE	A	B	C	D	E	F	G	H	I	J	K	L
282/283	207	55	40	50	39	444	460	21	31.5	75	148	350
284/285	246	62	44	50	45	444	460	21	31.5	84	148	350



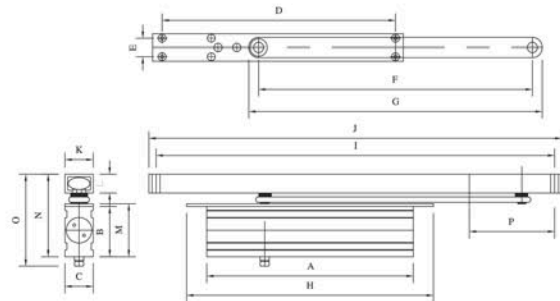
## Concealed Door Closer Model #160 & #380 & #9201

**FEATURES:**

- \* Track Arm with Hold-open
- \* Non-Handed installation
- \* Stable hydraulic fluid for any climatic operation
- \* Adjustable closing & latching speed
- \* #160/#380 1 hour fire rated

**Optional function:**

- 1.Delayed action
- 2.Back check
- 3.Hold-open
4. 3 hr fire rated



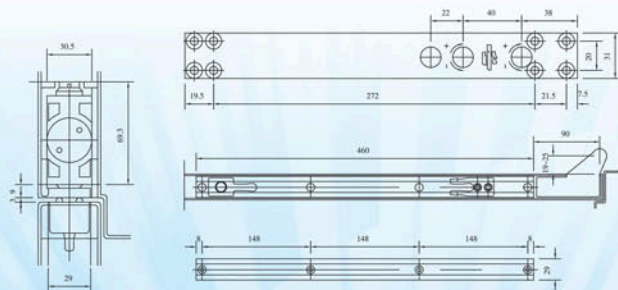
MODEL	MAX. door dim. (mm)	MAX. door weight (kgs)
382/162	950 × 2100	50
383/163	1050 × 2100	70
384/164	1150 × 2100	90

MODE	A	B	C	D	E	F	G	H	I	J	K	L	M	N	O	P
382/383	230	56	30	260	20	305	327	275	444	460	31.5	21	59	92	102.5	148
384	230	60	32	260	20	305	327	275	444	460	31.5	21	63	96	106.5	148
162/163	230	56	30	260	20	320	342	275	380	400	23	14.5	59	87	97.5	95
164	230	60	32	260	20	320	342	275	380	400	23	14.5	63	91	101.1	95

9201



MODEL	Door Dim. / Weight Max.	
	W × H (mm)	Weight (kg)
9201	900 × 2100	65





- A : A4, 9 fl., No. 6 Siwei 3rd Road, Lingya dist., Kaohsiung 80250, TAIWAN
- T : 886-7- 3355235
- F : 886-7- 3356680
- W : <http://secutor.com.tw>  
<http://secutor.en.alibaba.com>
- E : [secutor@ms66.hinet.net](mailto:secutor@ms66.hinet.net)  
[secutor.corp@msa.hinet.net](mailto:secutor.corp@msa.hinet.net)