

Unit Heaters

TOP



KAMPMAN
Genau mein Klima.



Unbeatable advantages



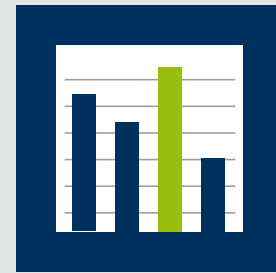
TOP at a glance



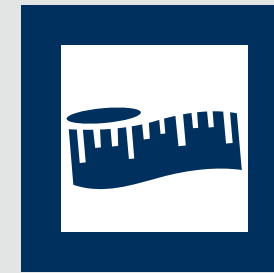
Details



Controller models



Performance data



Dimensions



Benefits for you!



Calculation program
(ext. Link)





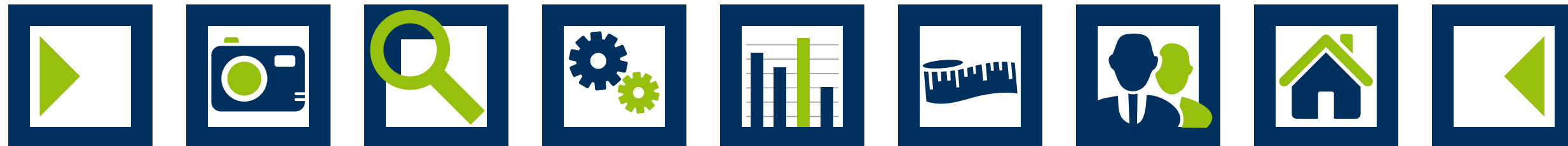
Unit Heaters TOP:
The robust complete unit heater range
for challenging environments



KAMPMAN
Genau mein Klima.

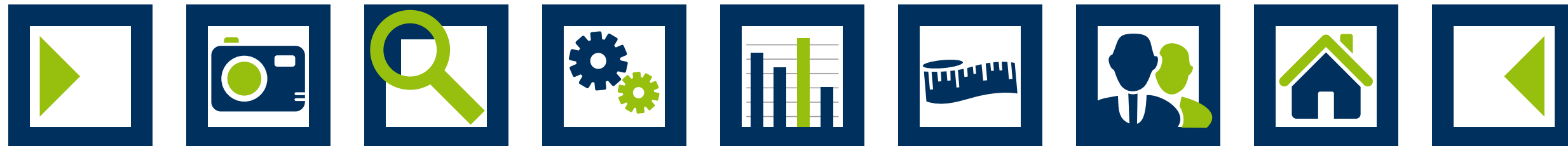
TOP for where the conditions are tough.

Rely on TOP technology when you have to heat and ventilate large spaces economically - in difficult conditions, including dust and oil in the air.



The complete range!

Are you planning a recirculating or mixed air system? No matter! TOP can do both. The extensive range of accessories will transform your TOP into an outstanding complete system.



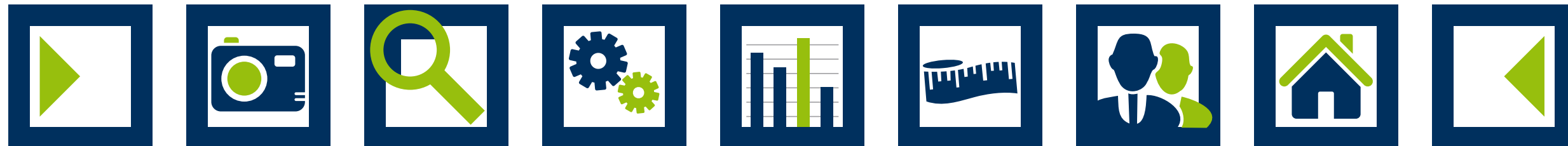
Multi-medium.

However you plan to heat, TOP unit heaters do the job with suitable heat exchangers. Copper/aluminium for LPHW/LPWW, galvanised steel for steam or as cross-flow heat exchangers for larger water temperature differences.



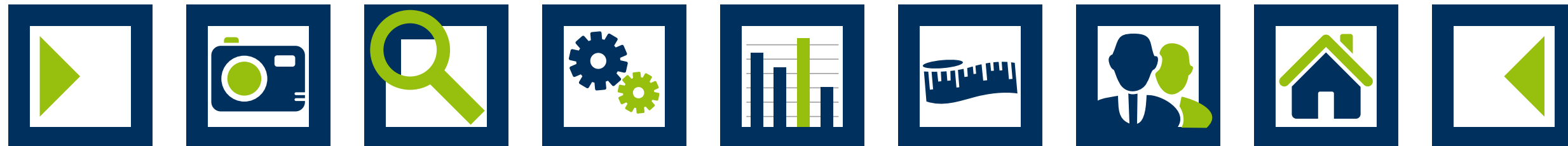
Quiet.

TOP operates quietly, as noise can ultimately cause stress for your customers' employees. Whisper-quiet sickle-blade fans and optimised full nozzles make sure of that!



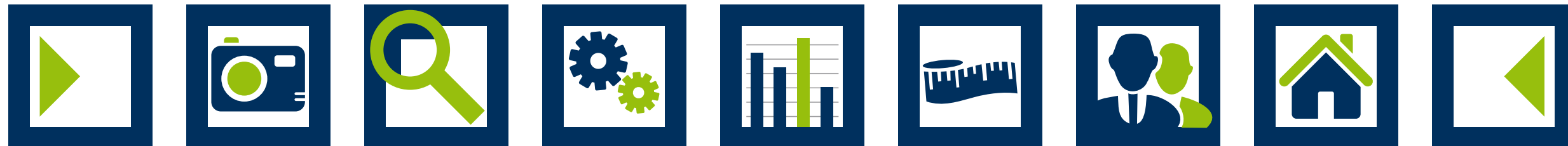
As you wish.

Design a mixed air system if you need your system to provide both heat and ventilation with air guidance systems, like louvres or KaMAX, filters, different motor models and centralised control. Rely on the versatility of TOP!



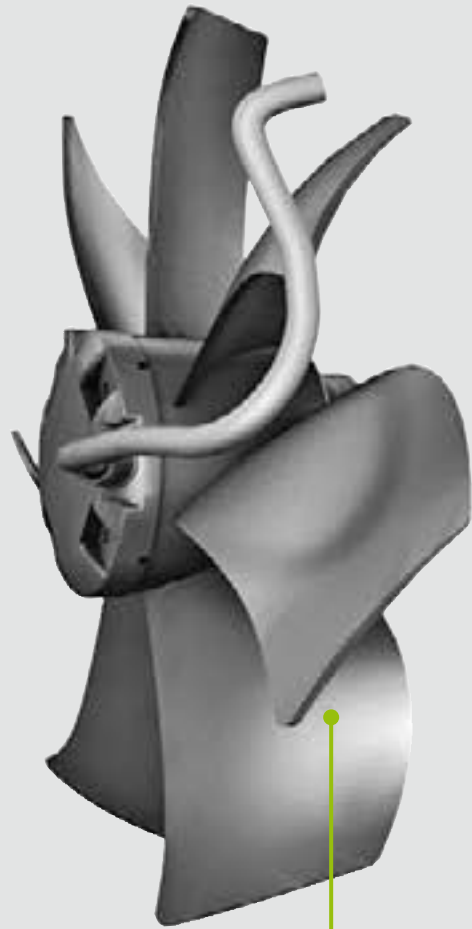
If you're in a hurry ...

Order all sizes of TOP units heaters with copper-aluminium heat exchanger and 2-stage three-phase motors ex-stock.





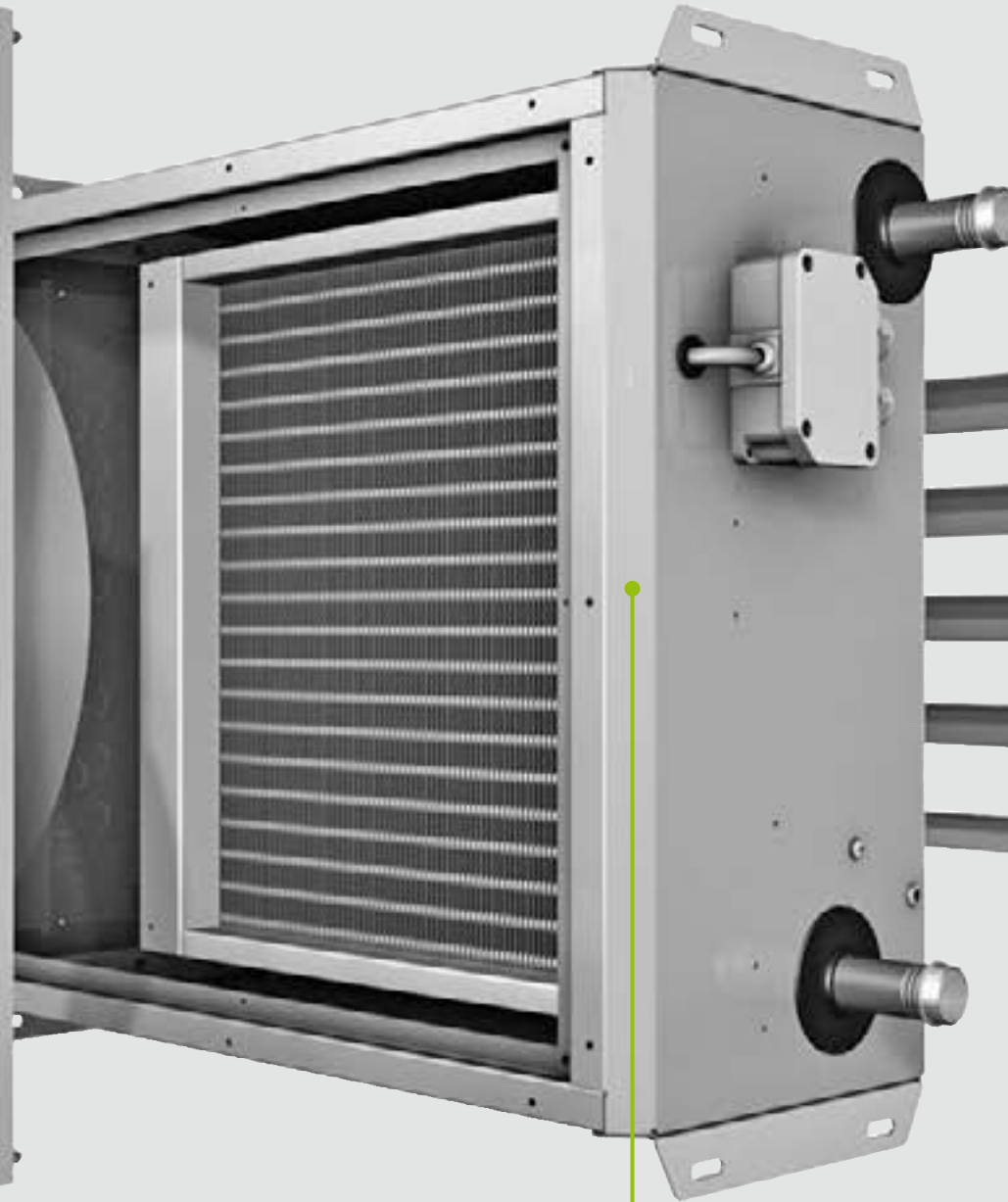
Fan guard
(standard)



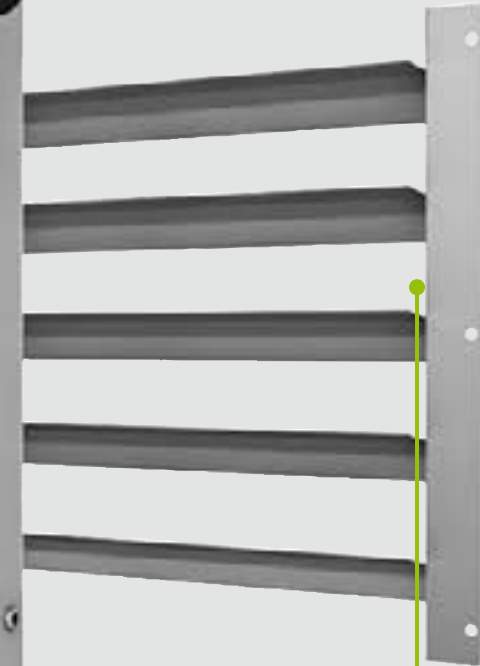
Whisper-quiet
sickle-blade fan



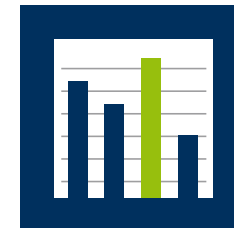
Rear panel
with full nozzle



Unit heater housing
with heat exchanger



Single-row air louvre
(standard)

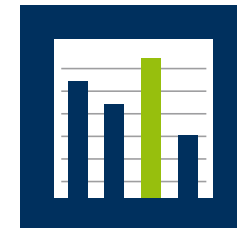


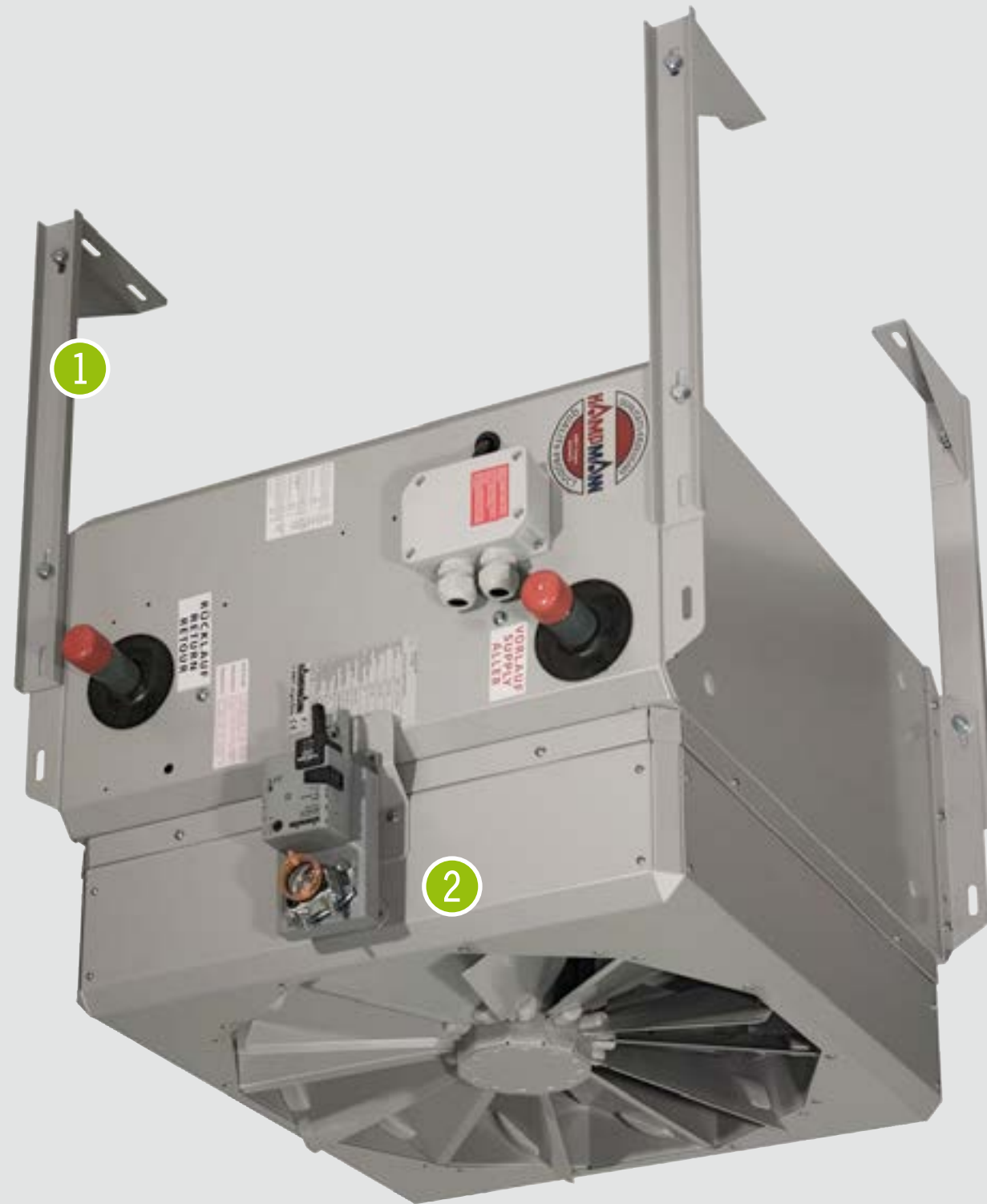


Installation examples

TOP unit heater, wall-mounted,
suspended on wall brackets

- ① Wall brackets
- ② Air outlet: Single-row air louvre (standard)

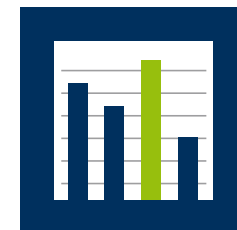


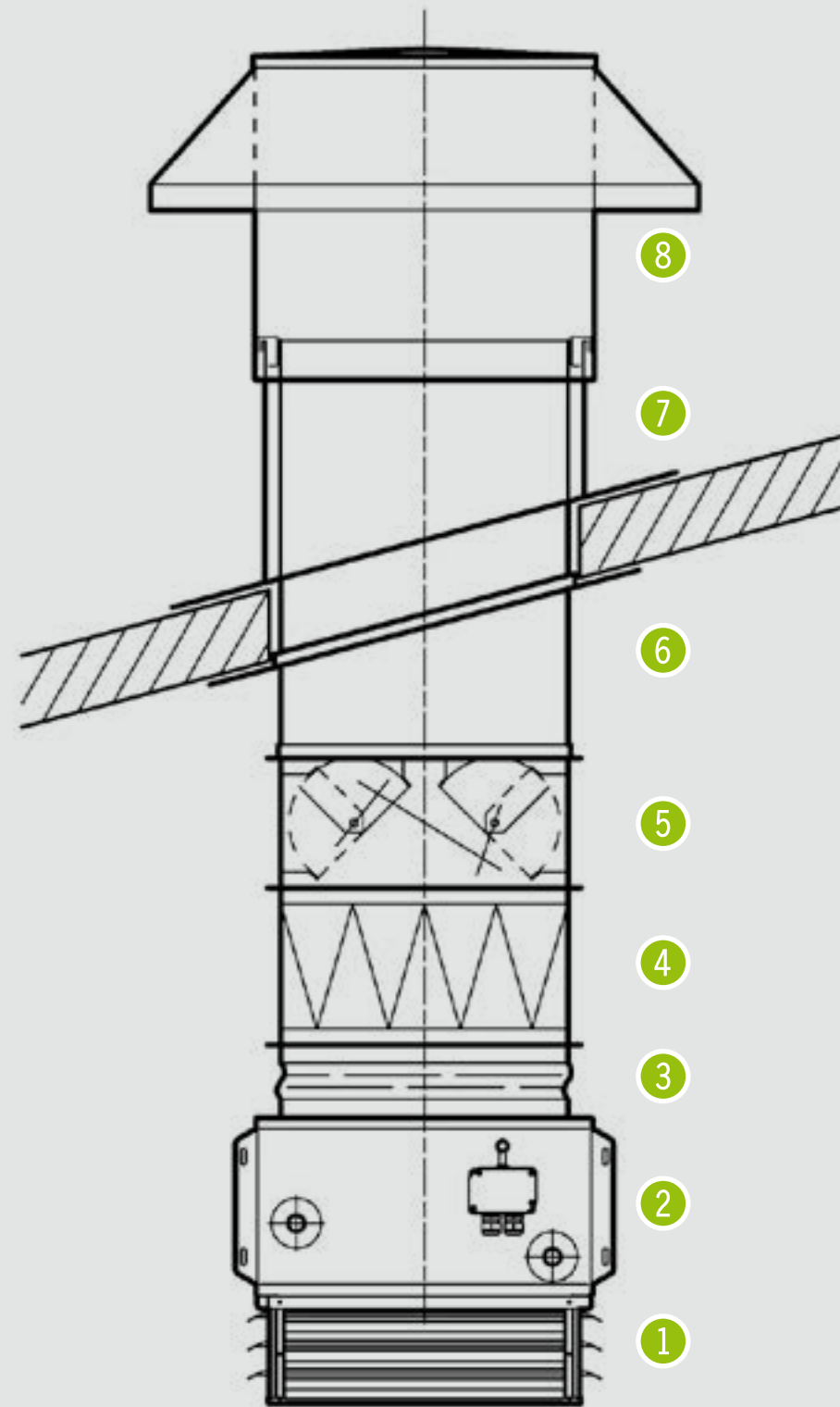


Installation examples

TOP unit heater, ceiling-mounted on Universal 4-point brackets with KaMAX and actuator

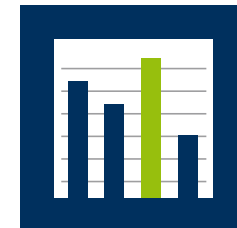
- 1 Ceiling-mounted on Universal 4-point brackets
- 2 Air outlet: KaMAX and servomotor (accessories)





Installation examples

- ① Air diffuser, Type 3*004
- ② TOP unit heater
- ③ Flexible connection, Type 3*013
- ④ Filter box, Type 3*010
- ⑤ Mixing box, Type 3*012
- ⑥ Cover plate, Type 3*118**
- ⑦ Roof socket for angled roof with roof duct, Type 3*120**
- ⑧ Rain hood, Type 3*114



Controller models

KaControl versions (recirculation only)



- ▶ KaController with one-touch operation
Room control unit for wall mounting, high-quality design, plastic housing, colour similar to RAL 9010, with large LCD multifunctional display and integrated room temperature sensor

- ▶ KaController with side functional keys
Room control unit for wall mounting, high-quality design, plastic housing, colour similar to RAL 9010, with large LCD multifunctional display and integrated room temperature sensor

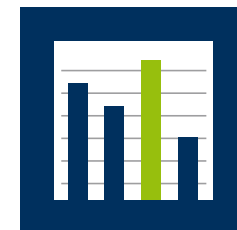


Stage switch for speed control



- ▶ 2-stage 3-phase controller
with connection for room thermostat

- ▶ 5-stage 3-phase controller
with connection for room thermostat
and timer



Controller models

Compact speed controller - Electronic 0-100 % single-phase controller



Master unit with integrated room temperature control

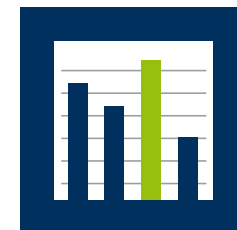
- ▶ integral digital timers with day, night and week programme, room temperature sensor in a separate housing IP54, slave units type 30540 or unit heater with fitted power unit (0 - 100 %)



Slave unit without room temperature control and clock

- ▶ for use with master unit type 30543 or for continuous 0 - 100 % control via an external signal, configurable to 0 - 10 VDC, 0 - 5 VDC or potentiometer 0 - 100 K ohms

- ▶ Other control options are available



Technical Data

Series		44	45	46	47
2-stage, 400V 3-phase AC	Types	44_36	45_36	46_36	47_36
3-stage, 400V 3-phase AC		44_35	45_35	46_35	47_35
Ex. proof, 400V 3-phase AC		44_37	45_37	46_37	47_37
1-stage, 230V 1-phase AC		44_31	45_31	46_31	47_31
Max. mounting installation height $H_{max}^{1)}$	m	3,0 - 5,5	3,8 - 6,5	4,1 - 7,2	5,0 - 8,0
Throw	m	7 - 18	9 - 23	10 - 27	14 - 38
Sound pressure level $L_{PA}^{2)}$	dB(A)	39 - 55	42 - 59	40 - 58	48 - 61
Air volume	m ³ /h	910 - 2360	1710 - 4140	2270 - 5680	3840 - 8770
Heat output ³⁾ copper/aluminium	kW	8,2 – 18,0	13,4 – 30,9	20,3 – 47,9	31,9 – 77,2
galvanised steel	kW	6,9 – 16,8	11,9 – 29,8	17,9 – 43,1	30,5 – 76,3
galvanised steel for steam	kW	13,3 – 27,3	21,7 – 46,6	33,1 – 63,6	53,9 – 106,6
galvanised steel, cross-flow	kW	7,2 – 11,9	13,0 – 20,3	17,9 – 30,7	32,0 – 54,6
Connection size for heat exchanger for LPHW	Inch	1	1	1 ¼	1 ½
Connection size for heat exchanger for steam/condensate	Inch	1 ½/1	1 ½/1	1 ½/1	1 ½/1

¹⁾ Mounting height with louvre

²⁾ Measured at a distance of 5 m

³⁾ Heat outputs: Copper/aluminium and galvanised steel heat exchanger at LPHW 75/65 °C, $t_{L1} = 20$ °C

Steam heat exchanger at 0.1 bar saturated steam, $t_{L1} = 20$ °C

Galvanised steel (cross-flow) heat exchanger at LPHW 80/40 °C, $t_{L1} = 20$ °C

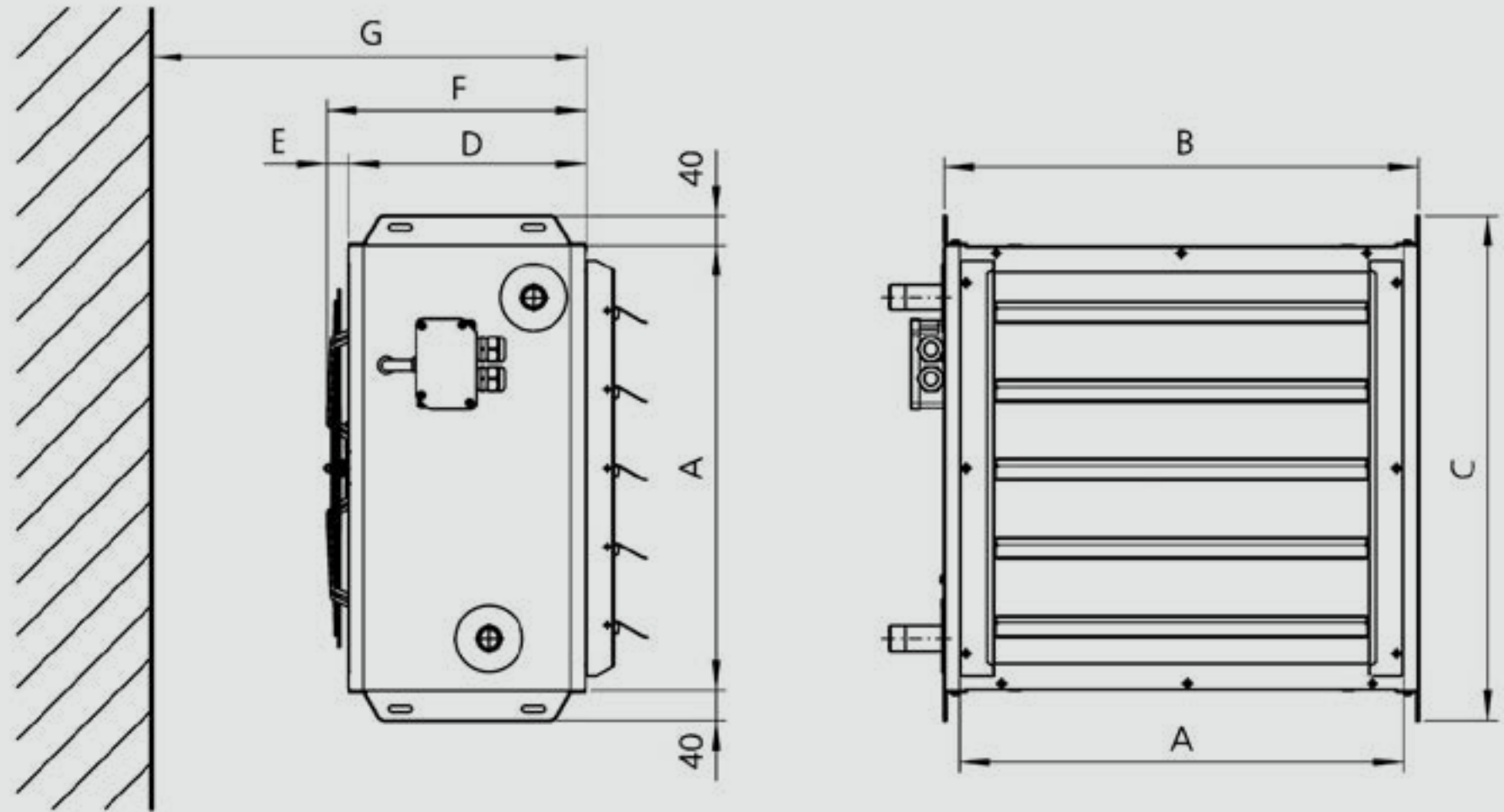


KAMPMAN
Genau mein Klima.

Dimensions

Series	44	45	46	47
A	500	600	700	800
B	540	640	740	840
C	580	680	780	880
D	320	320	320	360
E	30	30	40	40
F	480	500	550	660

All dimensions in mm

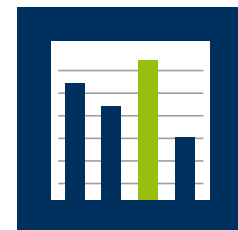


Benefits for you!

Kampmann offers you the following service benefits:

- ▶ On-site Consultation
- ▶ Planning Support
- ▶ Detailed Discussions
- ▶ Functional Inspections
- ▶ Individual Training
- ▶ Optimisation by Remote Monitoring
- ▶ After Sales Service

Here we are at your service:
Kampmann.co.uk/contact



Kampmann.co.uk
m.kampmann.co.uk



Kampmann GmbH
Friedrich-Ebert-Str. 128–130
49811 Lingen (Ems)
Germany

T +49 591 7108-0

F +49 591 7108-300

E info@kampmann.de

Kampmann UK Ltd.
Dial House, Govett Avenue
Shepperton, Middlesex, TW17 8A
Great Britain

T +44 (0)1932 228592

F +44 (0)1932 228949

E info@kampmann.co.uk



KAMPMAN
Genau mein Klima.