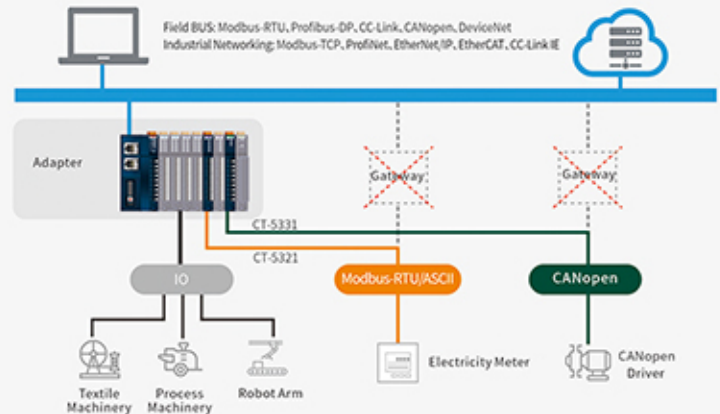


ODOT CN-8032

Profinet Network Adapter and Remote I/O system

The CN-8032 Profinet network adapter supports standard Profinet IO Device Communication. The adapter supports MRP media redundancy, and it could realize ring network redundancy. And it supports RT/IRT real-time and synchronous communication mode, with its RT real-time communication minimum period of 1ms and IRT synchronous communication minimum period of 250us. The adapter supports a maximum input of 1440 bytes, a maximum output of 1440 bytes, and the number of the extended IO modules it supports is 32.

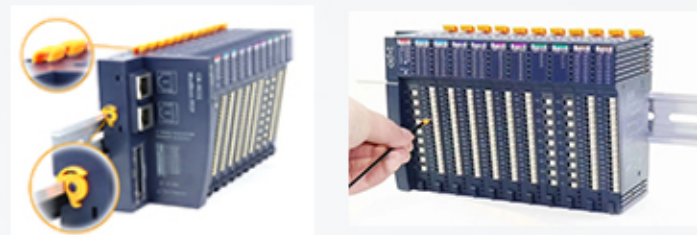


The network adapter is also compatible with CODESYS V3.5.

System Power: Nominal: 24Vdc, Range: 9-36Vdc
 Reverse Protection: YES
 Power Consumption: 110mA@24Vdc
 Current Output: Max:2A@5Vdc
 Isolation: System Power to Field Power Isolation
 Field Power: Nominal: 24Vdc, Range: 22-28Vdc
 Reverse Protection: YES
 Field Power Contact: Max:8A
 Expansion Module: 32 Slots
 Wiring: Max.1.5mm² (AWG 16)
 Mounting Type: 35mm DIN-Rail
 Size: 115*51.5*75mm
 Weight: 130g

Environment Specification
 Operational Temperature: -40~85°C
 Operational Humidity: 5%-95% (No Condensation)
 Protection Class: IP20

Profinet Parameter
 Protocol: Profinet IO Device
 I/O Data Size: Input Max.1440 Bytes, Output Max.1440 Bytes
 RT: YES, Min.1ms
 IRT: YES, Min.250us
 MRP: YES
 MRPD: NO
 Network Interface: RJ45x2
 Speed: 10/100Mbps, MDI/MIDX, Full-Duplex
 Distance: 100m
 Profinet Device Name: DIP switch setting or Profinet monitor modifying



Founded in 2003, Sichuan ODOT Automation System Co., Ltd. is a technical enterprise specialized in industrial communication and automation control system R&D and integrated technical service. with 18-years experience focused on I/O solutions, as a leading I/O automation service provider in China.

We own a factory of over 1500 square meters and we have 70 staff including 30 engineers, 16 senior technical talents, 45 undergraduates, 19 special technic talents, 4 scientific prizes, 2 inventing patents, 7 new-concept patents, and 20 software copyright patents.

Since 2012 and ODOT Automation has successfully provided professional field data collection solutions for textile enterprises, automobile accessory enterprises, Gas&Oil processing enterprises, food and beverage producing enterprise, water treatment, power management, hydro power station, New Energy, liquor producing enterprises etc.

Our mission is focusing on IIOT, boosting smart factory.



Strength Certification qualification

ODOT Having passed ISO9001:2015, CE and Intellectual Property Management System certification. also a member of international communication standard organization PROFIBUS&PROFINET Association (PIChina), EtherCAT Technology Association, CC-Link member unit, OPC International Fund Organization, China Communication Industry Association, Industry Internet Federation and Edge computing industry Federation.



Applications we support

1. Machinery Industry
CNC/Food and beverage/Grain and oil machinery/Smart factory/AUTO
2. Energy Industry
Thermal plant/hydropower station/PTD
3. New Energy
Solar/Photovoltaic-PV/Lithium battery industry
4. Process Control
Sewage disposal/Oil and Gas/Chemical/Pharmacy
5. Other Industry
Railway/ Urban rail/Building/ HVAC