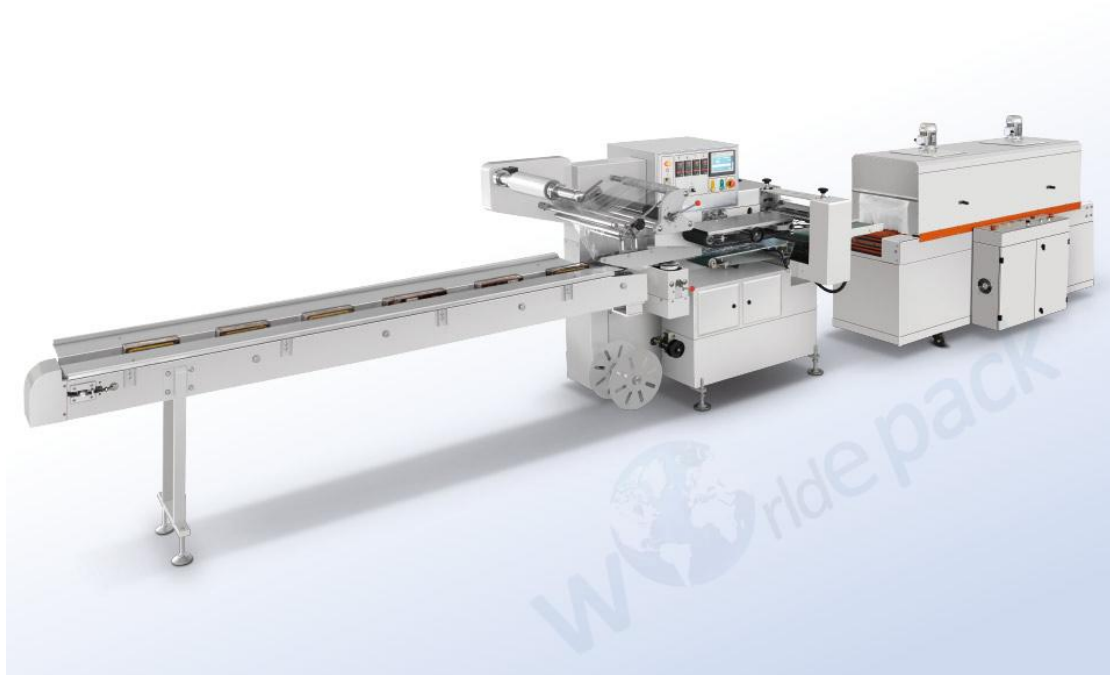


## High-speed Automatic Flow Wrap Machine

Compared to the traditional shrink wrapper, our Flow Wrapping machine's main features are high speed and less material waste, the speed has increased by 2-10 times, and you can save labor costs and time, it is suitable for bowl noodles, milk tea, cup products, frozen products, food boxes, cosmetics, clinker bottles, coil incense and other shrink packaging.

### Recommended Model Information:



Model	WE-590
Sealing type	Fully enclosed
Power supply	sealer:singlephase220V/50Hz; shrink tunnel:3phase380V/50Hz
Speed	30-150packs/minute
Product size	Length100-450mm Width:40-190mm Height:35-75mm
Film	Single layer POF film
Max film size	max590mm
Power	sealer:5.5kw shrink tunnel:9kw
Gross Dimention	sealer:4930x1130x1500mm Shrink tunnel:2400x600x1550mm
Gross Weight	sealer:1000kg Shrink tunnel:600kg
Machine material	Carbon steel

## Equipment Feature:

The product that have been packed with film are sent to the automatic shrinking tunnel through conveyor, and run in the shrinking tunnel through the mesh belt, and the thermal energy efficiency during the operation can achieve the purpose of shrinking. The unit adopts stepless speed regulation device; and cooperates with automatic dual temperature controller to control the temperature, through the circulation of hot air, the quality of the shrinkage of the film is more stable and beautiful. The unit has high equipment efficiency, compact structure, reliable operation, low noise and convenient maintenance.

## Sample picture



## Machine Details



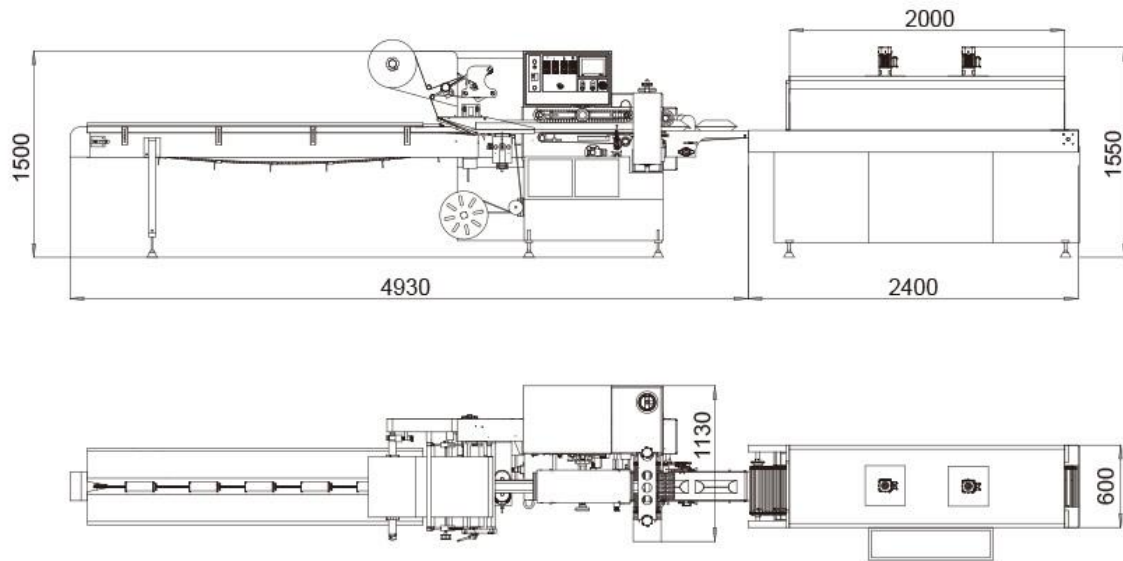
## Video :

<https://www.youtube.com/embed/5YriuzAEDTM>

<https://www.youtube.com/embed/j4W7bTaPQMk>

<https://www.youtube.com/embed/ydM56YN7KKI>

## Drawing:



## Installation Service

1. We provide videos and instruction manual to show the process of installation.
2. We provide training for installation for free in our factory.
3. We can send technician to buyer's factory to install the machine and provide training course.

## After Sales Service

1. One year warranty and free lifetime technique support.
2. Free spare parts would be supplied if machine broken within warranty period.
3. After the warranty period, the spare parts for replacement are offered based on certain charge.

Similar products: Automatic Rotary Premade Pouch Packaging Machine

(Link the main Automatic Rotary Premade Pouch Packaging Machine website)