



E-LINE UKS-UKFE

CABLE TRAY SYSTEMS

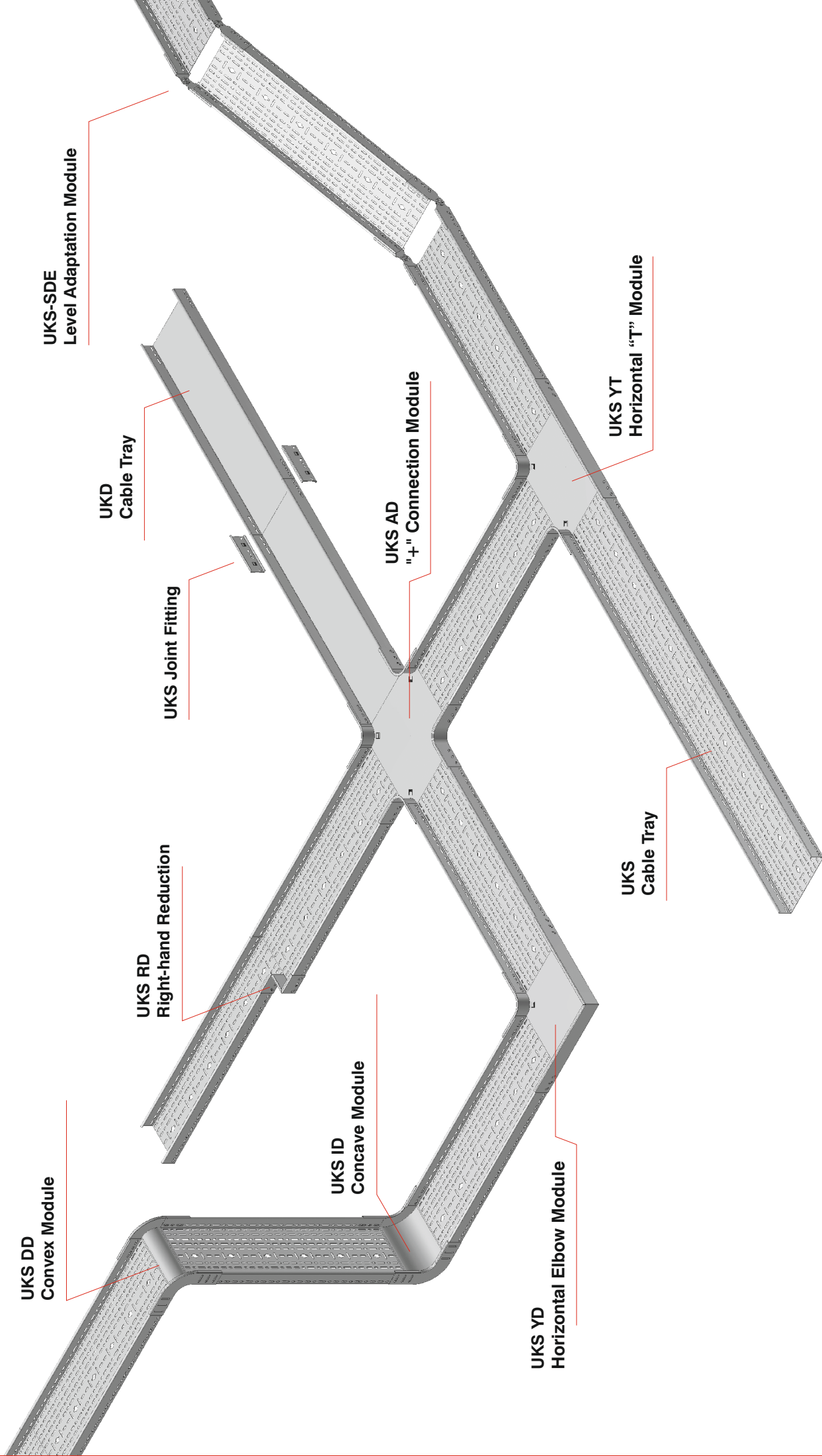


Pre-galvanized
UKS-UKFE-UMK-UKD
Cable Tray Systems
And Accessories

UKS-UKFE

E-Line UKS-UKFE

Cable Tray and Modules



UKS DD
Convex Module

UKS ID
Concave Module

UKS YD
Horizontal Elbow Module

UKS RD
Right-hand Reduction

UKS Joint Fitting

UKD
Cable Tray

UKS AD
"+" Connection Module

UKS
Cable Tray

UKS YT
Horizontal "T" Module

UKS-SDE
Level Adaptation Module

CONTENTS

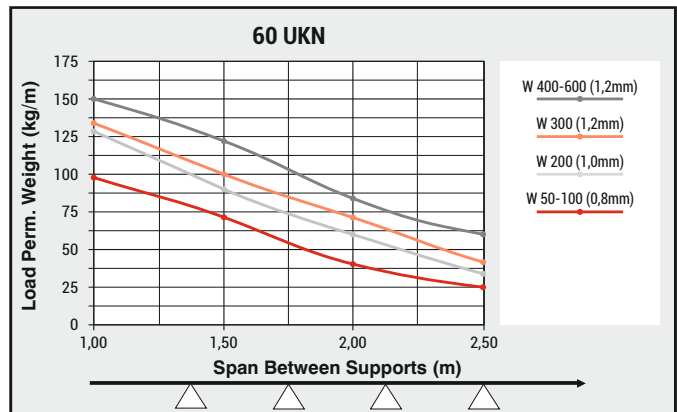
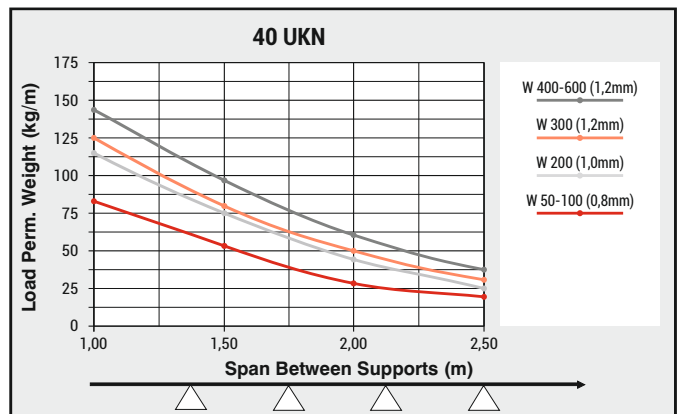
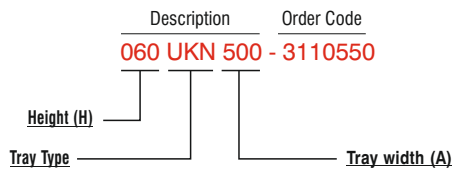
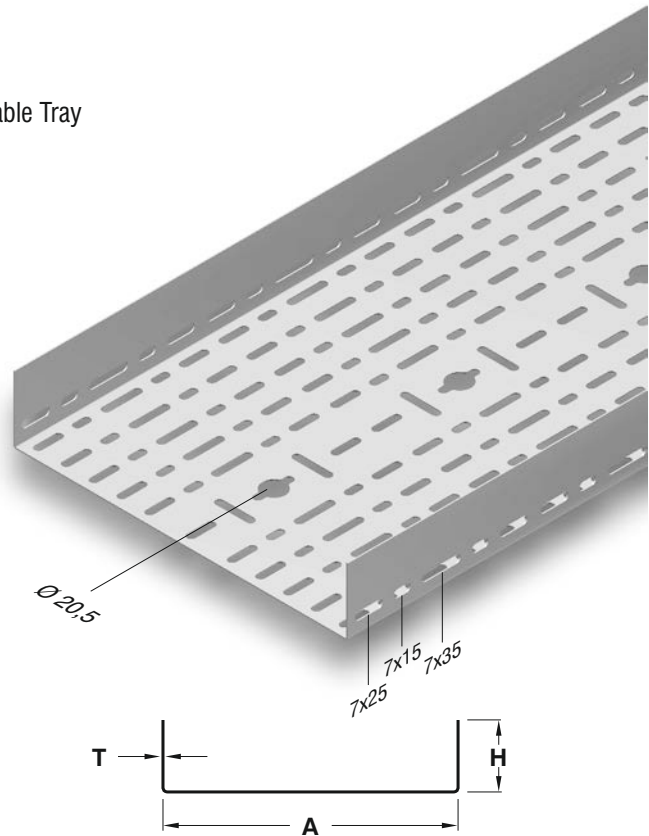
2	UKN Cable Tray Systems
3	UKS Cable Tray Systems
4	UKD Cable Tray Systems
5	UMK Cable Ladder Systems
6	UKFE Cable Tray Systems
7-17	UKS Cable Tray System Modules
18-19	UKS Reduction
20	UKS YT Half "T" Module
21	UKS Level Adaptation and Joint Set
22	UK SDE Elbow Protection Plate
23-26	UKK Tray Covers and Module Covers
27	UKS End Cover and Expansion Set
28	UKS Omega Clamp
29	Support Accessories

▶▶ UKN CABLE TRAYS

Pre-galvanized (TS EN 10346 - TS EN 10143)

Description	H (mm)	A (mm)	T (mm)	Weight (kg./m.)	Order Code	Pack (m.)
040 UKN 50	40	50	0,8	0,697	3110538	1140
040 UKN 100	40	100	0,8	0,955	3110539	804
040 UKN 200	40	200	1	1,827	3110540	450
040 UKN 300	40	300	1,2	2,962	3110541	228
040 UKN 400	40	400	1,5	4,656	3110542	216
040 UKN 500	40	500	1,5	5,620	3110543	108
040 UKN 600	40	600	1,5	6,585	3110544	108
060 UKN 50	60	50	0,8	0,949	3110545	720
060 UKN 100	60	100	0,8	1,206	3110546	510
060 UKN 200	60	200	1	2,145	3110547	300
060 UKN 300	60	300	1,2	3,340	3110548	156
060 UKN 400	60	400	1,5	5,127	3110549	144
060 UKN 500	60	500	1,5	6,090	3110550	72
060 UKN 600	60	600	1,5	7,056	3110551	72

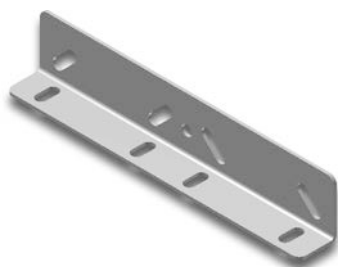
Cable Tray



▶▶ UKN JOINT FITTING

Pre-galvanized (TS EN 10346 - TS EN 10143)

Description	H (mm)	T (mm)	Weight (kg./pc)	Order Code	Pack (pcs.)
UKN JOINT FITTING	40-60	1,5	0,132	3114708	150



- Load Perm. Weight may change +/- according to the sheet tolerance and hardness. Please contact to your customer representative for detailed information.

- Please indicate order code in your orders.
- Please contact us for special dimensions.
- Material weights may vary by ± 10%

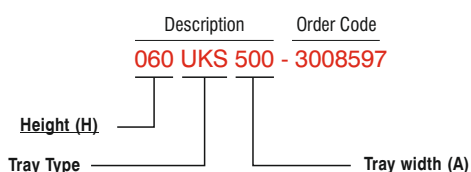
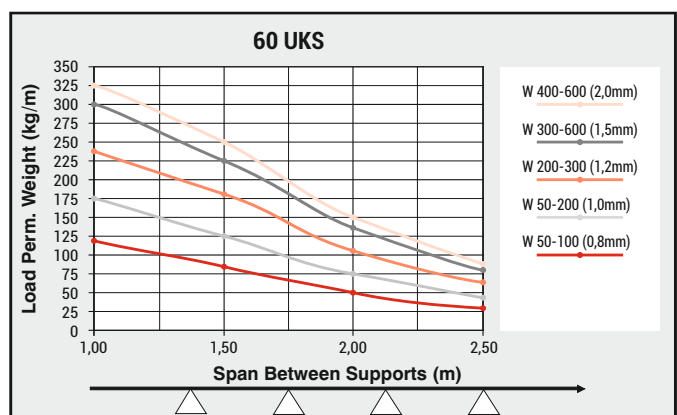
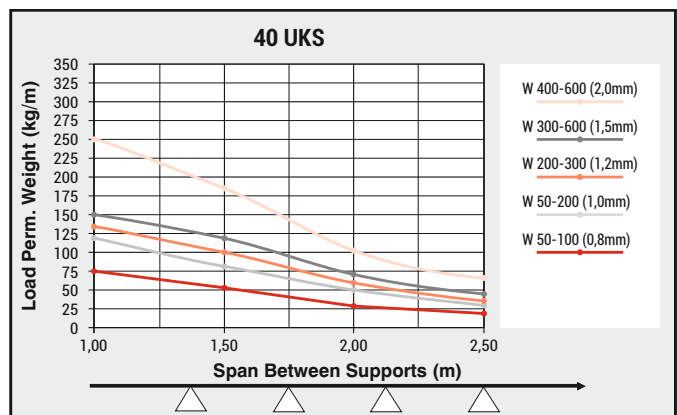
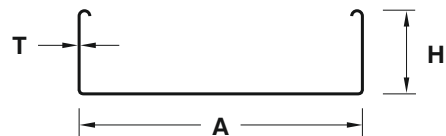
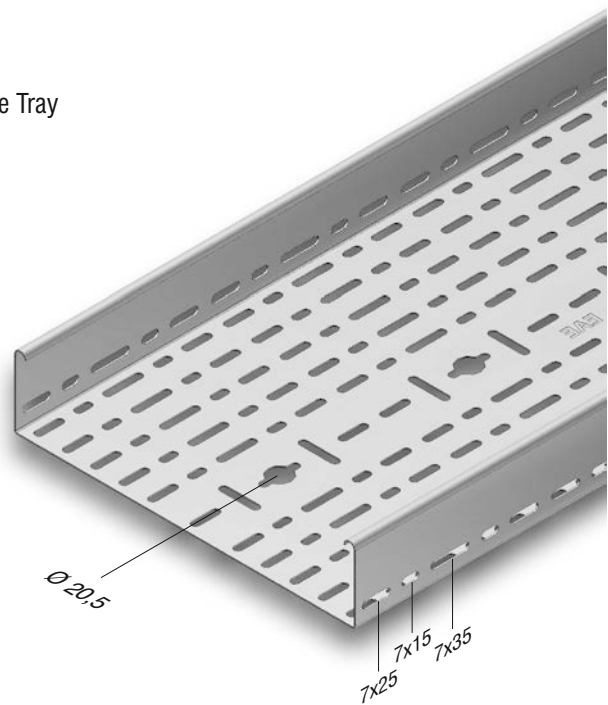
- UKN cable tray are compatible with all modules and accessories of UKS cable tray.
- Standard length is 3000 mm.

▶▶ UKS CABLE TRAYS

Pre-galvanized (TS EN 10346 - TS EN 10143)

Description	H (mm)	A (mm)	T (mm)	Weight (kg./m.)	Order Code	Pack (m.)
040 UKS 50	40	50	0,8	0,784	3006325	1140
040 UKS 50	40	50	1	0,976	3008609	1140
040 UKS 100	40	100	0,8	1,041	3006324	804
040 UKS 100	40	100	1	1,299	3008608	804
040 UKS 150	40	150	1	1,619	3008607	570
040 UKS 200	40	200	1	1,940	3086555	450
040 UKS 200	40	200	1,2	2,323	3008606	450
040 UKS 250	40	250	1,2	2,709	3008605	216
040 UKS 300	40	300	1,2	3,125	3086556	228
040 UKS 300	40	300	1,5	3,883	3008604	228
040 UKS 400	40	400	1,5	4,835	3008603	216
040 UKS 400	40	400	2	6,438	3086557	216
040 UKS 500	40	500	1,5	5,800	3008602	108
040 UKS 500	40	500	2	7,712	3086558	108
040 UKS 600	40	600	1,5	6,765	3001750	108
040 UKS 600	40	600	2	8,998	3086559	108
<hr/>						
060 UKS 50	60	50	0,8	1,035	3006323	720
060 UKS 50	60	50	1	1,290	3008245	720
060 UKS 100	60	100	0,8	1,293	3006322	510
060 UKS 100	60	100	1	1,612	3008244	510
060 UKS 150	60	150	1	1,933	3008243	396
060 UKS 200	60	200	1	2,254	3086560	300
060 UKS 200	60	200	1,2	2,700	3008601	300
060 UKS 250	60	250	1,2	3,086	3008600	180
060 UKS 300	60	300	1,2	3,479	3086561	156
060 UKS 300	60	300	1,5	4,330	3008599	156
060 UKS 400	60	400	1,5	5,306	3008598	144
060 UKS 400	60	400	2	7,066	3086562	144
060 UKS 500	60	500	1,5	6,271	3008597	72
060 UKS 500	60	500	2	8,340	3086563	72
060 UKS 600	60	600	1,5	7,236	3001751	72
060 UKS 600	60	600	2	9,626	3086564	72

Cable Tray



- Please indicate order code in your orders.
- Please contact us for special dimensions.
- Material weights may vary by ± 10%

- Load Perm. Weight may change +/- according to the sheet tolerance and hardness. Please contact to your customer representative for detailed information.

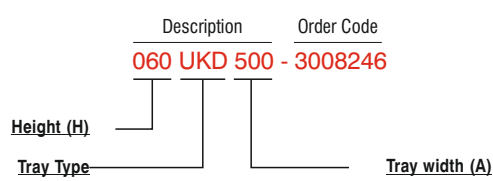
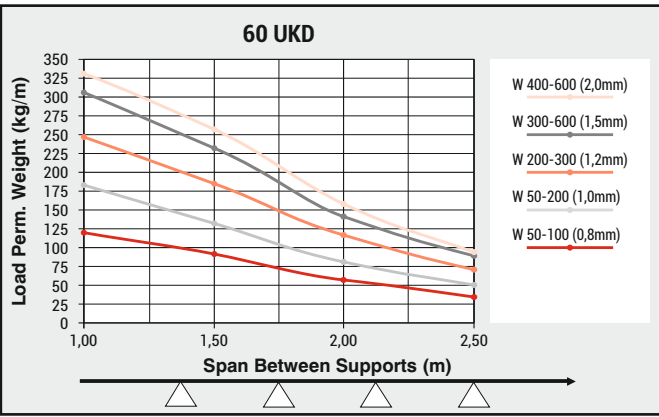
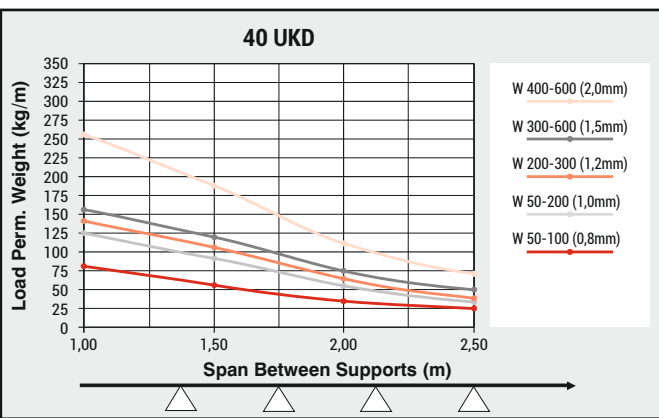
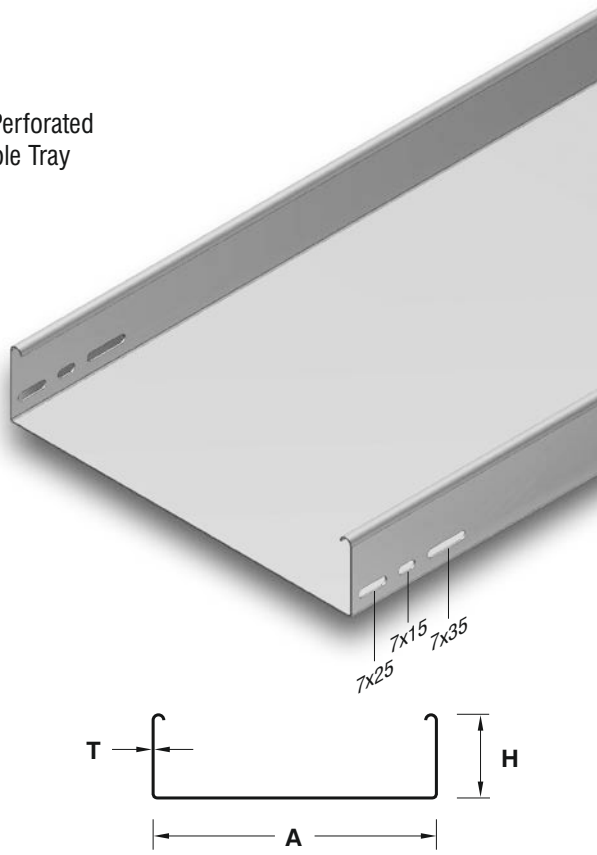
- UKS tray can be manufactured as 6000 mm.
- Standard length is 3000 mm.

▶▶ UKD CABLE TRAY

Pre-galvanized (TS EN 10346 - TS EN 10143)

Description	H (mm)	A (mm)	T (mm)	Weight (kg./m.)	Order Code	Pack (m)
040 UKD 050	40	50	0,8	0,882	3005347	1140
040 UKD 050	40	50	1	1,099	3008258	1140
040 UKD 100	40	100	0,8	1,196	3005346	804
040 UKD 100	40	100	1	1,491	3008257	804
040 UKD 150	40	150	1	1,884	3008256	570
040 UKD 200	40	200	1	2,281	3086565	450
040 UKD 200	40	200	1,2	2,750	3008255	450
040 UKD 250	40	250	1,2	3,207	3008254	216
040 UKD 300	40	300	1,2	3,693	3086566	228
040 UKD 300	40	300	1,5	4,588	3008253	228
040 UKD 400	40	400	1,5	5,766	3008252	216
040 UKD 400	40	400	2	7,677	3086567	216
040 UKD 500	40	500	1,5	6,943	3008251	108
040 UKD 500	40	500	2	9,247	3086568	108
040 UKD 600	40	600	1,5	8,121	3001752	108
040 UKD 600	40	600	2	10,817	3086569	108
<hr/>						
060 UKD 050	60	50	0,8	1,134	3005335	720
060 UKD 050	60	50	1	1,413	3008173	720
060 UKD 100	60	100	0,8	1,448	3005334	510
060 UKD 100	60	100	1	1,805	3008172	510
060 UKD 150	60	150	1	2,198	3008171	396
060 UKD 200	60	200	1	2,595	3086570	300
060 UKD 200	60	200	1,2	3,120	3008250	300
060 UKD 250	60	250	1,2	3,574	3008249	180
060 UKD 300	60	300	1,2	4,015	3086571	156
060 UKD 300	60	300	1,5	5,059	3008248	156
060 UKD 400	60	400	1,5	6,237	3008247	144
060 UKD 400	60	400	2	8,305	3086572	144
060 UKD 500	60	500	1,5	7,414	3008246	72
060 UKD 500	60	500	2	9,875	3086573	72
060 UKD 600	60	600	1,5	8,592	3001753	72
060 UKD 600	60	600	2	11,445	3086574	72

Non Perforated Cable Tray



■ Load Perm. Weight may change +/- according to the sheet tolerance and hardness. Please contact to your customer representative for detailed information.

■ Standard length is 3000 mm.

- Please indicate order code in your orders.
- Please contact us for special dimensions.
- Material weights may vary by ± 10%

►► **UMK UNIVERSAL CABLE LADDERS**

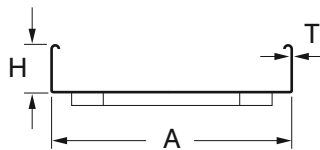
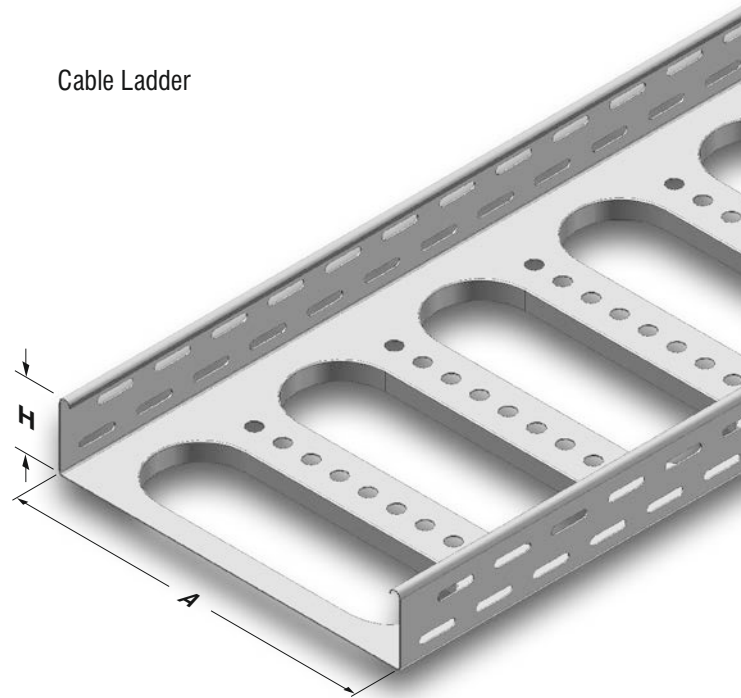
Pre-galvanized (TS EN 10346 - TS EN 10143)

Description	H (mm)	A (mm)	T (mm)	Weight (kg./m.)	Order Code	Pack (m)
060 UMK 100	60	100	0,8	1,141	3006332	450
060 UMK 200	60	200	1	1,942	3008099	270
060 UMK 300	60	300	1,2	2,970	3008100	156
060 UMK 400	60	400	1,2	3,519	3008101	114

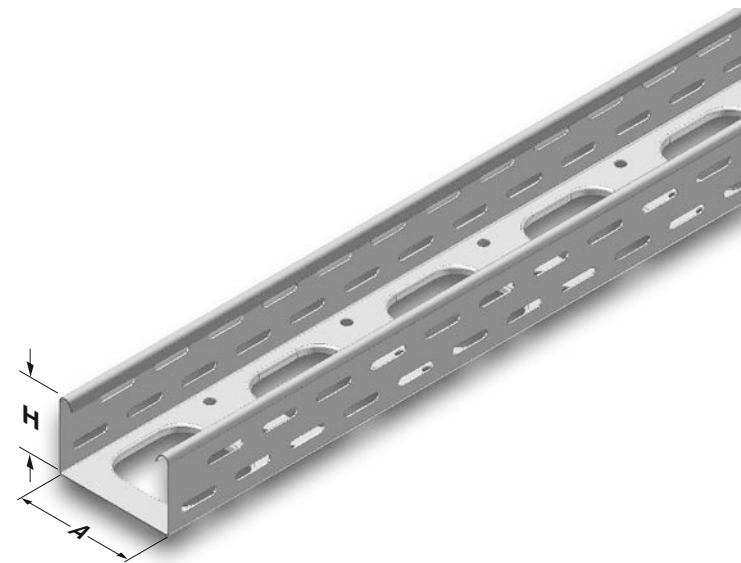
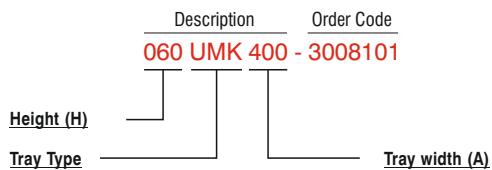
■ Standard length is 3000 mm.

■ UKS cable tray system's modules are suitable for UMK cable ladder system.

Cable Ladder



Sample Order:
 Height (H): 60 mm
 Tray Width (A): 400 mm
 Sheet Metal Thickness (T): 1,2 mm
 Pre-galvanized (P), Cable Ladder.



* UMK can be used in all applications, vertical cable mounting, horizontal and vertical distribution of low current and telephone and data cables.

* Special design of ladder windows prevents cable from being cut or stripped off.

- Used in raised floors and data centre systems.
- Please indicate order code in your orders.
- Please contact us for special dimensions.
- Material weights may vary by ± 10%

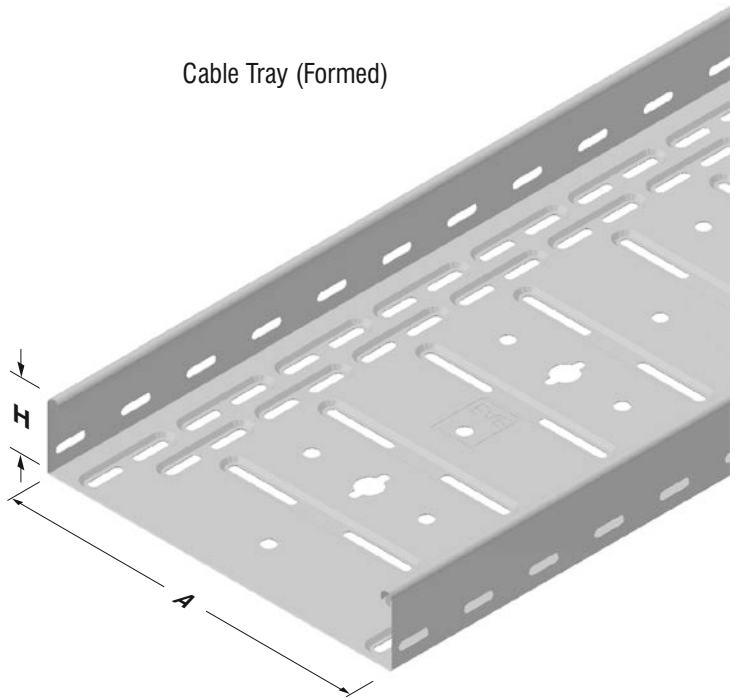


►► UKFE CABLE TRAYS

Pre-galvanized (TS EN 10346 - TS EN 10143)

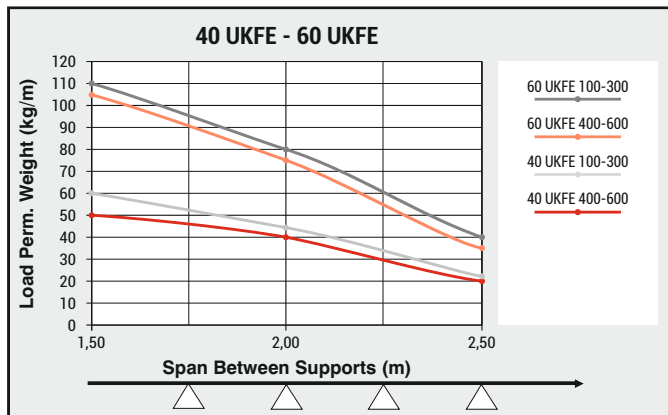
Description	H (mm)	A (mm)	T (mm)	Weight (kg./m.)	Order Code	Pack (m)
40 UKFE 100	40	100	0,7	1,010	3108992	612
40 UKFE 200	40	200	0,7	1,488	3108993	288
40 UKFE 300	40	300	0,7	2,031	3108994	216
40 UKFE 400	40	400	0,9	3,253	3117226	192
40 UKFE 500	40	500	0,9	3,918	3117227	102
40 UKFE 600	40	600	0,9	4,594	3117228	102
<hr/>						
60 UKFE 100	60	100	0,7	1,287	3109001	432
60 UKFE 200	60	200	0,7	1,708	3109002	198
60 UKFE 300	60	300	0,7	2,227	3109003	144
60 UKFE 400	60	400	0,9	3,535	3109004	114
60 UKFE 500	60	500	0,9	4,201	3109005	72
60 UKFE 600	60	600	0,9	4,876	3109006	72

Cable Tray (Formed)

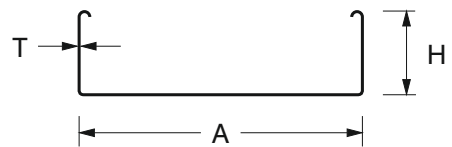


■ Standard length is 3000 mm.

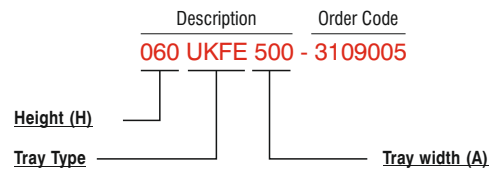
■ UKS cable tray system's modules are suitable for UKFE cable tray system.



■ Load Perm. Weight may change +/- according to the sheet tolerance and hardness.
Please contact to your customer representative for detailed information.



Sample Order:
Height (H): 60 mm
Tray Width (A): 500 mm
Sheet Metal Thickness (T): 0,9 mm
Pre-galvanized (P), Cable Tray



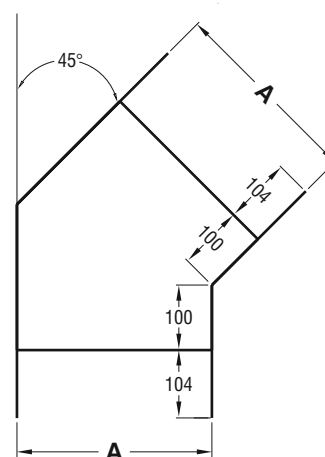
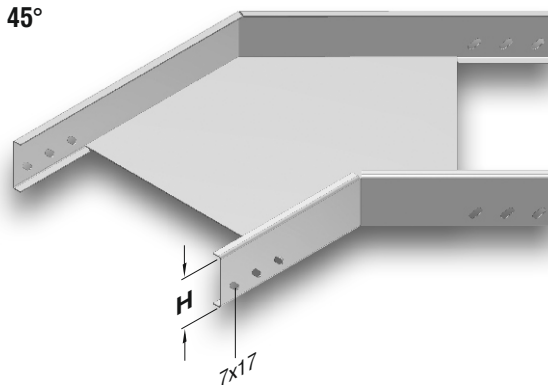
- Please indicate order code in your orders.
- Please contact us for special dimensions.
- Material weights may vary by ± 10%

►► UKS HORIZONTAL ELBOW MODULE (45°)

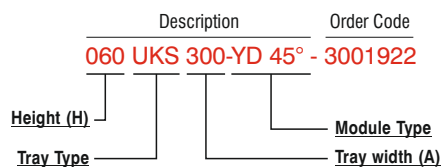
Pre-galvanized (TS EN 10346 - TS EN 10143)

Description	H (mm)	A (mm)	T (mm)	Weight (kg./pc.)	Order Code
040 UKS 50 YD 45°	40	50	1,2	0,609	3001908
040 UKS 100 YD 45°	40	100	1,2	0,762	3001909
040 UKS 150 YD 45°	40	150	1,2	0,933	3001910
040 UKS 200 YD 45°	40	200	1,2	1,125	3001911
040 UKS 250 YD 45°	40	250	1,2	1,339	3001912
040 UKS 300 YD 45°	40	300	1,2	1,571	3001913
040 UKS 400 YD 45°	40	400	1,2	2,098	3001914
040 UKS 500 YD 45°	40	500	1,2	2,705	3001915
040 UKS 600 YD 45°	40	600	1,2	3,393	3001916
<hr/>					
060 UKS 50 YD 45°	60	50	1,2	0,776	3001917
060 UKS 100 YD 45°	60	100	1,2	0,937	3001918
060 UKS 150 YD 45°	60	150	1,2	1,117	3001919
060 UKS 200 YD 45°	60	200	1,2	1,316	3001920
060 UKS 250 YD 45°	60	250	1,2	1,539	3001921
060 UKS 300 YD 45°	60	300	1,2	1,779	3001922
060 UKS 400 YD 45°	60	400	1,2	2,322	3001923
060 UKS 500 YD 45°	60	500	1,2	2,945	3001924
060 UKS 600 YD 45°	60	600	1,2	3,649	3001925

YD 45°



Sample Order:
 Height (H): 60 mm,
 Tray Width (A): 300 mm,
 Sheet Metal Thickness (T): 1,2 mm,
 Pregalvanized (P),
 Horizontal Elbow Module 135°

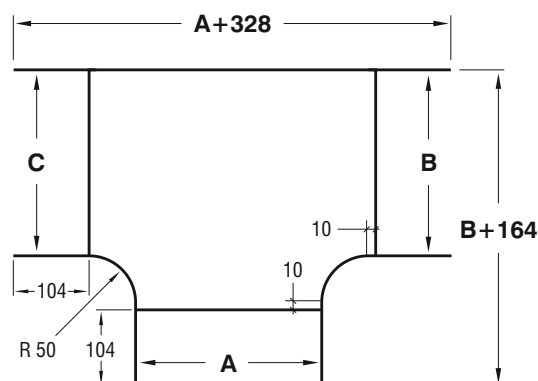
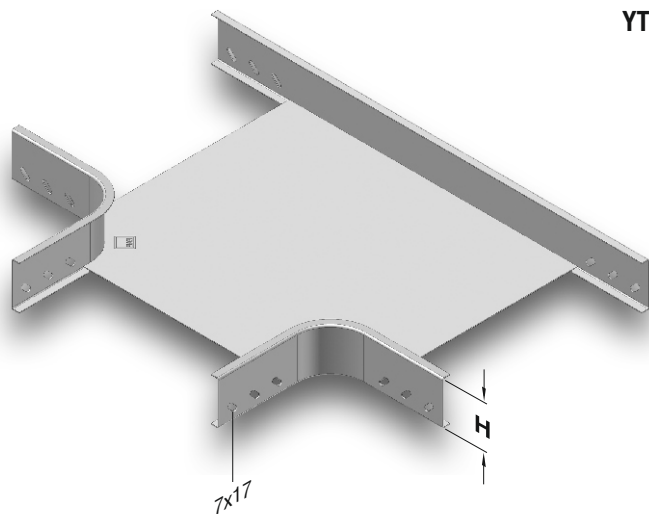


- Please indicate order code in your orders.
- Please contact us for special size.
- Material weights may vary by ± 10%

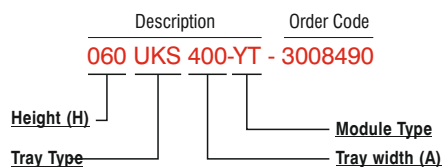
►► UKS "T" MODULE **R=50**

Pre-galvanized (TS EN 10346 - TS EN 10143)

Description	H (mm)	ABC (mm)	T (mm)	Weight (kg./pc.)	Order Code
040 UKS 50 YT	40	50	1,2	0,702	3008501
040 UKS 100 YT	40	100	1,2	0,893	3008500
040 UKS 150 YT	40	150	1,2	1,132	3008499
040 UKS 200 YT	40	200	1,2	1,419	3008498
040 UKS 250 YT	40	250	1,2	1,756	3008497
040 UKS 300 YT	40	300	1,2	2,141	3008496
040 UKS 400 YT	40	400	1,2	3,058	3008495
040 UKS 500 YT	40	500	1,2	4,169	3008494
040 UKS 600 YT	40	600	1,2	5,477	3001756
060 UKS 50 YT	60	50	1,2	0,896	3008216
060 UKS 100 YT	60	100	1,2	1,096	3008215
060 UKS 150 YT	60	150	1,2	1,344	3008214
060 UKS 200 YT	60	200	1,2	1,642	3008493
060 UKS 250 YT	60	250	1,2	1,988	3008492
060 UKS 300 YT	60	300	1,2	2,383	3008491
060 UKS 400 YT	60	400	1,2	3,319	3008490
060 UKS 500 YT	60	500	1,2	4,451	3008489
060 UKS 600 YT	60	600	1,2	5,776	3001757



Sample Order:
 Height (H): 60 mm,
 Tray Width (ABC): 400 mm,
 Sheet Metal Thickness (T): 1,2 mm,
 Pre-galvanized (P),
 "T" Module.

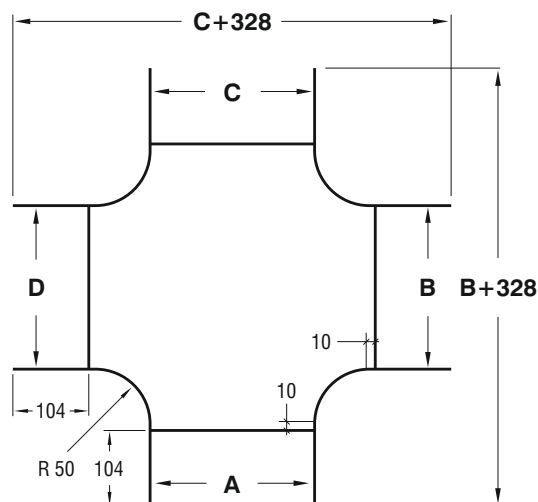
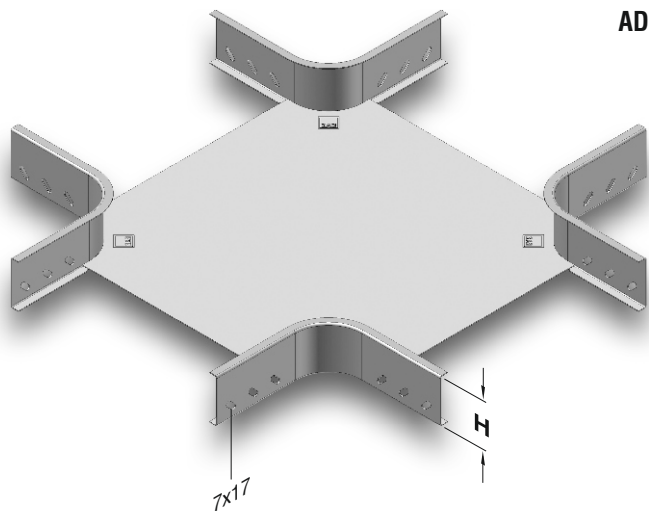


- Please indicate order code in your orders.
- Please contact us for special size.
- Material weights may vary by $\pm 10\%$

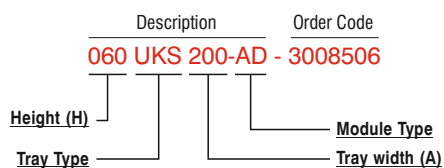
►► UKS "+" CONNECTION MODULE R=50

Pre-galvanized (TS EN 10346 - TS EN 10143)

Description	H (mm)	ABCD (mm)	T (mm)	Weight (kg./pc.)	Order Code
040 UKS 50 AD	40	50	1,2	0,880	3008514
040 UKS 100 AD	40	100	1,2	1,070	3008513
040 UKS 150 AD	40	150	1,2	1,309	3008512
040 UKS 200 AD	40	200	1,2	1,597	3008511
040 UKS 250 AD	40	250	1,2	1,933	3008510
040 UKS 300 AD	40	300	1,2	2,319	3008509
040 UKS 400 AD	40	400	1,2	3,235	3008508
040 UKS 500 AD	40	500	1,2	4,347	3008507
040 UKS 600 AD	40	600	1,2	5,654	3001758
060 UKS 50 AD	60	50	1,2	1,119	3008213
060 UKS 100 AD	60	100	1,2	1,309	3008212
060 UKS 150 AD	60	150	1,2	1,548	3008211
060 UKS 200 AD	60	200	1,2	1,835	3008506
060 UKS 250 AD	60	250	1,2	2,172	3008505
060 UKS 300 AD	60	300	1,2	2,557	3008504
060 UKS 400 AD	60	400	1,2	3,474	3008503
060 UKS 500 AD	60	500	1,2	4,586	3008502
060 UKS 600 AD	60	600	1,2	5,893	3001759



Sample Order:
 Height (H): 60 mm,
 Tray Width (ABCD): 200 mm,
 Sheet Metal Thickness (T): 1,2 mm,
 Pre-galvanized (P),
 "+" Connection Module.

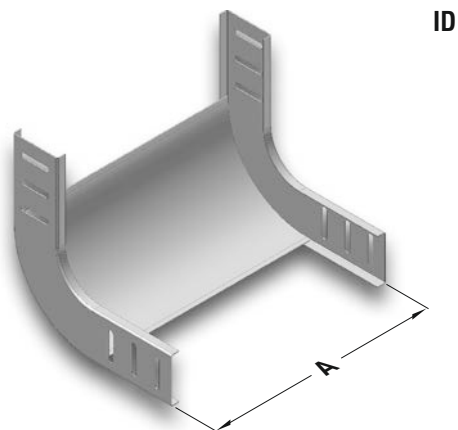


- Please indicate order code in your orders.
- Please contact us for special size.
- Material weights may vary by ± 10%

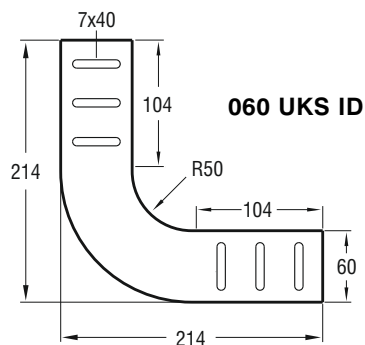
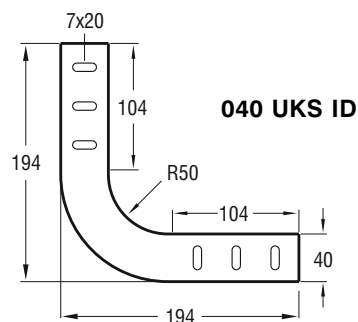
►► UKS CONCAVE MODULE (90°) R=50

Pre-galvanized (TS EN 10346 - TS EN 10143)

Description	A (mm)	T (mm)	Weight (kg./pc.)	Order Code
040 UKS 50 ID	50	1,2	0,465	3008488
040 UKS 100 ID	100	1,2	0,537	3008487
040 UKS 150 ID	150	1,2	0,610	3008486
040 UKS 200 ID	200	1,2	0,683	3008485
040 UKS 250 ID	250	1,2	0,755	3008484
040 UKS 300 ID	300	1,2	0,828	3008483
040 UKS 400 ID	400	1,2	0,973	3008482
040 UKS 500 ID	500	1,2	1,118	3008481
040 UKS 600 ID	600	1,2	1,263	3001760
060 UKS 50 ID	50	1,2	0,637	3008205
060 UKS 100 ID	100	1,2	0,724	3008206
060 UKS 150 ID	150	1,2	0,812	3008207
060 UKS 200 ID	200	1,2	0,899	3008480
060 UKS 250 ID	250	1,2	0,987	3008479
060 UKS 300 ID	300	1,2	1,074	3008478
060 UKS 400 ID	400	1,2	1,249	3008477
060 UKS 500 ID	500	1,2	1,424	3008476
060 UKS 600 ID	600	1,2	1,599	3001761



ID



Sample Order:
 Height (H): 60 mm,
 Tray Width (AB): 400 mm,
 Sheet Metal Thickness (T): 1,2 mm,
 Pre-galvanized (P),
 Concave Module.

Description	Order Code
060 UKS 400-ID -	3008477

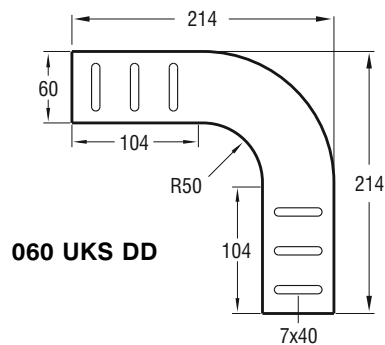
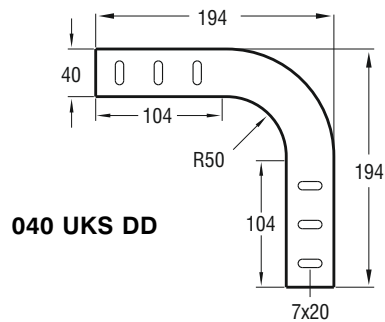
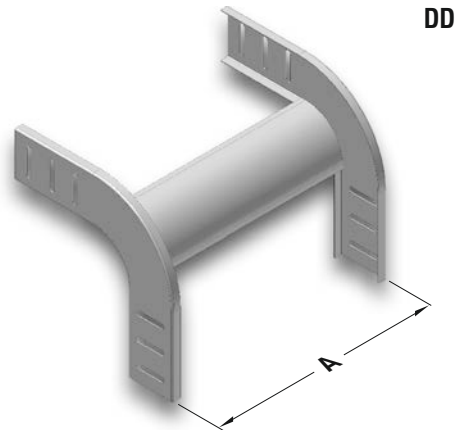
Height (H) ———— Module Type
 Tray Type ———— Tray width (A)

- Please indicate order code in your orders.
- Please contact us for special size.
- Material weights may vary by ± 10%

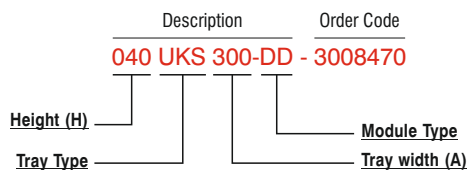
►► UKS CONVEX MODULE (90°) R=50

Pre-galvanized (TS EN 10346 - TS EN 10143)

Description	A (mm)	T (mm)	Weight (kg./pc.)	Order Code
040 UKS 50 DD	50	1,2	0,436	3008475
040 UKS 100 DD	100	1,2	0,479	3008474
040 UKS 150 DD	150	1,2	0,522	3008473
040 UKS 200 DD	200	1,2	0,565	3008472
040 UKS 250 DD	250	1,2	0,608	3008471
040 UKS 300 DD	300	1,2	0,651	3008470
040 UKS 400 DD	400	1,2	0,736	3008469
040 UKS 500 DD	500	1,2	0,822	3008468
040 UKS 600 DD	600	1,2	0,908	3001762
060 UKS 50 DD	50	1,2	0,594	3008204
060 UKS 100 DD	100	1,2	0,637	3008209
060 UKS 150 DD	150	1,2	0,680	3008208
060 UKS 200 DD	200	1,2	0,723	3008467
060 UKS 250 DD	250	1,2	0,765	3008466
060 UKS 300 DD	300	1,2	0,808	3008465
060 UKS 400 DD	400	1,2	0,894	3008464
060 UKS 500 DD	500	1,2	0,980	3008463
060 UKS 600 DD	600	1,2	1,065	3001763



Sample Order:
 Height (H): 40 mm,
 Tray Width (AB): 300 mm,
 Sheet Metal Thickness (T): 1,2 mm,
 Pre-galvanized (P),
 Convex Module.

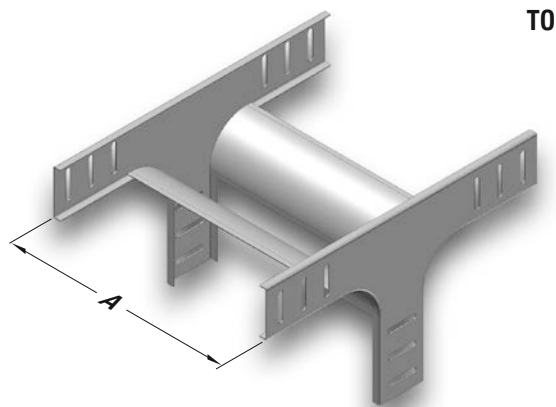


- Please indicate order code in your orders.
- Please contact us for special size.
- Material weights may vary by ± 10%

►► UKS "T" MIDDLE DESCENT MODULE R=50

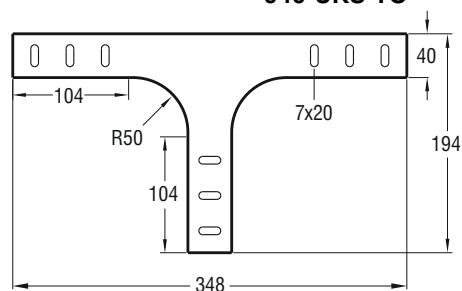
Pre-galvanized (TS EN 10346 - TS EN 10143)

Description	A (mm)	T (mm)	Weight (kg./pc.)	Order Code
040 UKS 50 TO	50	1,2	0,675	3195732
040 UKS 100 TO	100	1,2	0,760	3195733
040 UKS 150 TO	150	1,2	0,846	3195734
040 UKS 200 TO	200	1,2	0,932	3195735
040 UKS 250 TO	250	1,2	1,017	3195736
040 UKS 300 TO	300	1,2	1,103	3195737
040 UKS 400 TO	400	1,2	1,275	3195738
040 UKS 500 TO	500	1,2	1,446	3195739
040 UKS 600 TO	600	1,2	1,617	3195740
060 UKS 50 TO	50	1,2	0,898	3195741
060 UKS 100 TO	100	1,2	0,984	3195742
060 UKS 150 TO	150	1,2	1,070	3195743
060 UKS 200 TO	200	1,2	1,155	3195744
060 UKS 250 TO	250	1,2	1,241	3195745
060 UKS 300 TO	300	1,2	1,327	3195746
060 UKS 400 TO	400	1,2	1,498	3195747
060 UKS 500 TO	500	1,2	1,669	3195748
060 UKS 600 TO	600	1,2	1,841	3195749

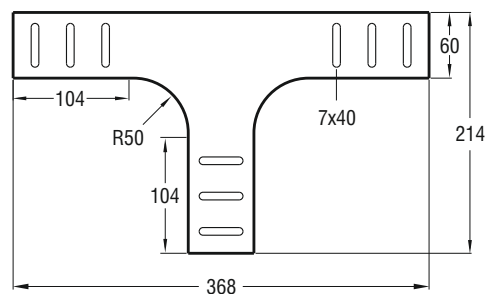


TO

040 UKS TO

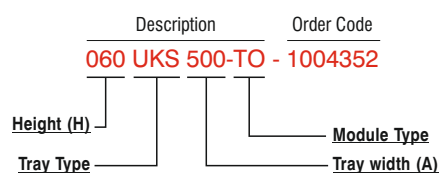


060 UKS TO



Sample Order:

Height (H) (H): 60 mm,
 Tray Width (A): 500 mm,
 Sheet Metal Thickness (T): 1,2 mm,
 Pre-galvanized (P),
 "T" Middle Descent Module.

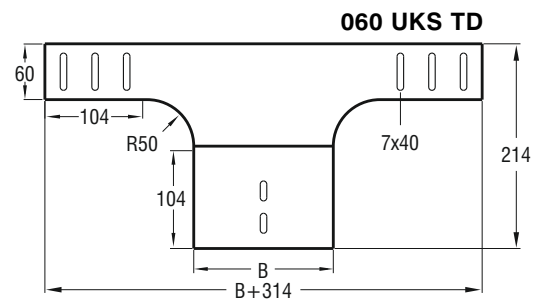
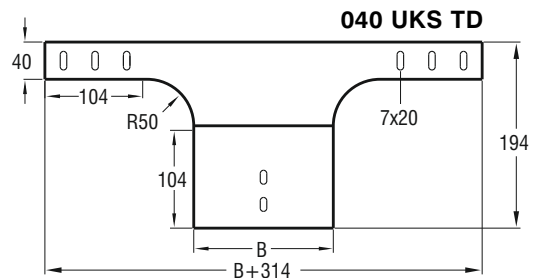
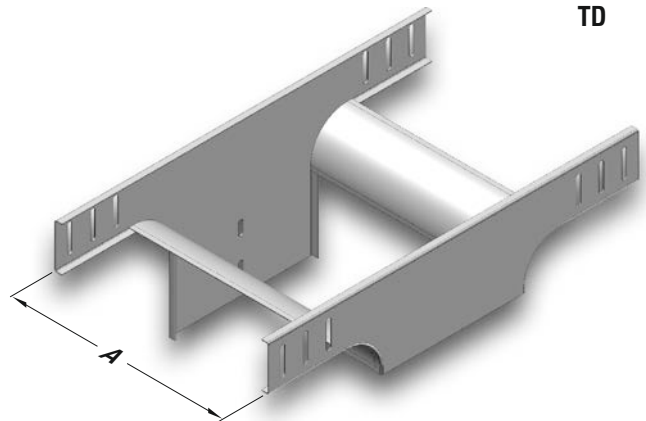


- Please indicate order code in your orders.
- Please contact us for special size.
- Material weights may vary by ± 10%

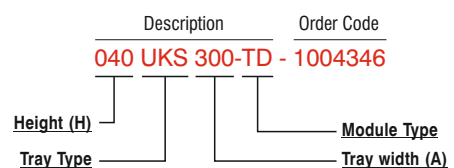
►► UKS "T" WALL DESCENT MODULE R=50

Pre-galvanized (TS EN 10346 - TS EN 10143)

Description	A (mm)	B (mm)	T (mm)	Weight (kg./pc.)	Order Code
040 UKS 50 TD	50	50	1,2	0,646	3195713
040 UKS 100 TD	100	100	1,2	0,881	3195714
040 UKS 150 TD	150	150	1,2	1,116	3195715
040 UKS 200 TD	200	200	1,2	1,351	3195716
040 UKS 250 TD	250	200	1,2	1,437	3195717
040 UKS 300 TD	300	200	1,2	1,523	3195718
040 UKS 400 TD	400	200	1,2	1,694	3195719
040 UKS 500 TD	500	200	1,2	1,866	3195720
040 UKS 600 TD	600	200	1,2	2,037	3195721
060 UKS 50 TD	50	50	1,2	0,786	3195722
060 UKS 100 TD	100	100	1,2	1,040	3195724
060 UKS 150 TD	150	150	1,2	1,294	3195725
060 UKS 200 TD	200	200	1,2	1,548	3195726
060 UKS 250 TD	250	200	1,2	1,634	3195727
060 UKS 300 TD	300	200	1,2	1,720	3195728
060 UKS 400 TD	400	200	1,2	1,891	3195729
060 UKS 500 TD	500	200	1,2	2,062	3195730
060 UKS 600 TD	600	200	1,2	2,234	3195731



Sample Order:
 Height (H) (H): 40 mm,
 Tray Width (A): 300 mm,
 Sheet Metal Thickness (T): 1,2 mm,
 Pre-galvanized (P),
 "T" Wall Descent Module.

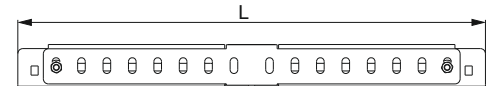
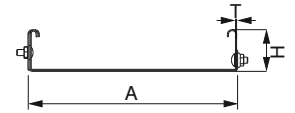
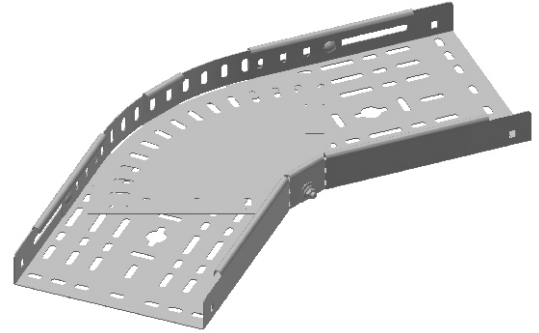


- Please indicate order code in your orders.
- Please contact us for special size.
- Material weights may vary by ± 10%

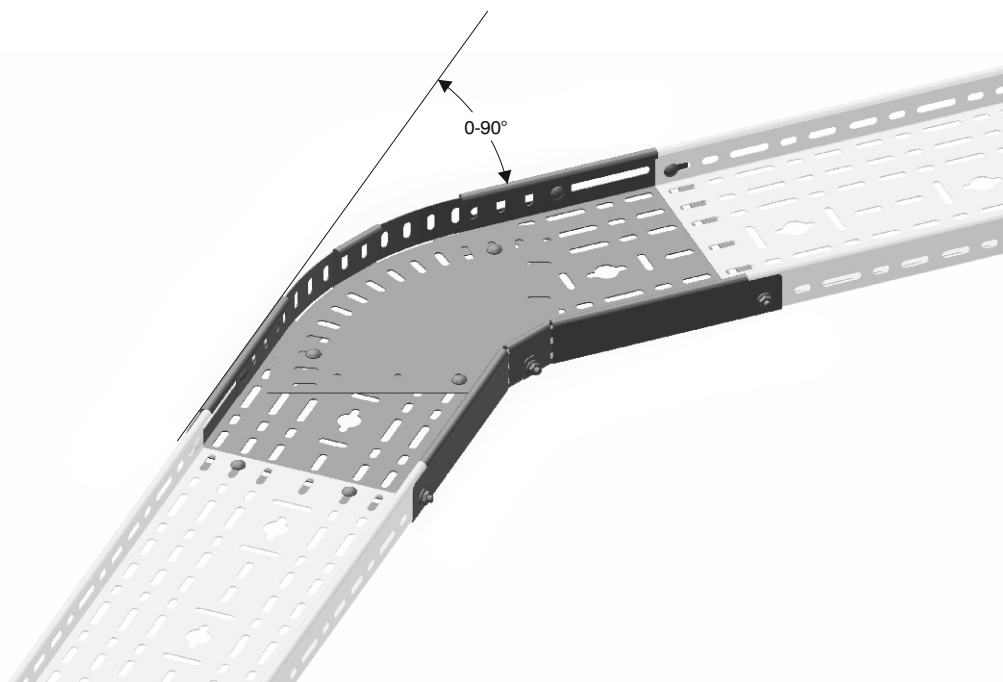
►► UKS FLEXIBLE ELBOW MODULE

Pre-galvanized (TS EN 10346 - TS EN 10143)

Description	A (mm)	L (mm)	T (mm)	Weight (kg./set)	M6X12 (set/pcs)	Order Code
40 UKS 100 FLEXIBLE ELBOW	100	310	1	0,65	4	3134573
40 UKS 150 FLEXIBLE ELBOW	150	390	1	1,03	4	3134574
40 UKS 200 FLEXIBLE ELBOW	200	460	1	1,39	4	3134575
40 UKS 300 FLEXIBLE ELBOW	300	610	1,2	2,65	4	3134576
40 UKS 400 FLEXIBLE ELBOW	400	790	1,2	4,28	4	3134577
40 UKS 500 FLEXIBLE ELBOW	500	930	1,5	9,27	6	3134578
40 UKS 600 FLEXIBLE ELBOW	600	1090	1,5	12,77	6	3134579
60 UKS 100 FLEXIBLE ELBOW	100	310	1	0,76	4	3134588
60 UKS 150 FLEXIBLE ELBOW	150	390	1	1,17	4	3134589
60 UKS 200 FLEXIBLE ELBOW	200	460	1	1,64	4	3134590
60 UKS 300 FLEXIBLE ELBOW	300	610	1,2	2,92	4	3134591
60 UKS 400 FLEXIBLE ELBOW	400	790	1,2	4,63	4	3134592
60 UKS 500 FLEXIBLE ELBOW	500	930	1,5	9,86	6	3134593
60 UKS 600 FLEXIBLE ELBOW	600	1090	1,5	13,47	6	3134594



Order information note: H: 3 sets of M6x12 bolts at 40-60 heights are shipped in modular form. After setting the angle, the M6x12 bolts that must be used on the base, have to be ordered separately, at the number as indicated on the table above.



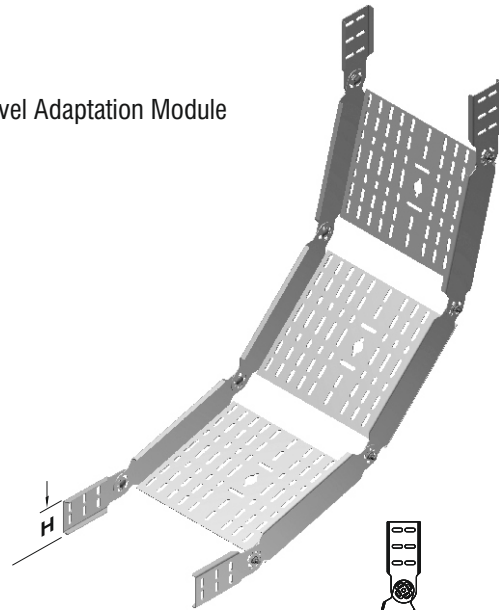
- Please indicate order code in your orders.
- Please contact us for special size.
- Material weights may vary by $\pm 10\%$

►► UKS LEVEL ADAPTATION MODULE

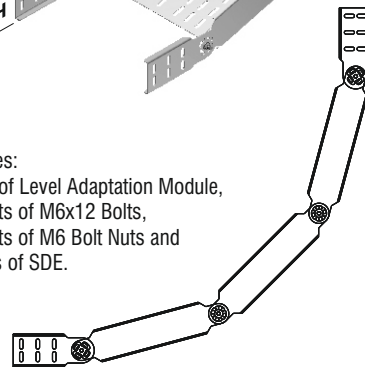
Pre-galvanized (TS EN 10346 - TS EN 10143)

Description	H (mm)	A (mm)	T (mm)	Weight (kg./set)	Order Code
040 UKS 050 - SDM	40	50	1,2	1,566	3008454
040 UKS 100 - SDM	40	100	1,2	1,845	3008453
040 UKS 150 - SDM	40	150	1,2	2,124	3008452
040 UKS 200 - SDM	40	200	1,2	2,403	3008451
040 UKS 250 - SDM	40	250	1,2	2,682	3008450
040 UKS 300 - SDM	40	300	1,2	2,961	3008449
040 UKS 400 - SDM	40	400	1,2	3,519	3008448
040 UKS 500 - SDM	40	500	1,2	4,077	3008447
040 UKS 600 - SDM	40	600	1,2	4,635	3001764
060 UKS 050 - SDM	60	50	1,2	2,094	3005831
060 UKS 100 - SDM	60	100	1,2	2,373	3008185
060 UKS 150 - SDM	60	150	1,2	2,652	3008176
060 UKS 200 - SDM	60	200	1,2	2,931	3008446
060 UKS 250 - SDM	60	250	1,2	3,210	3008445
060 UKS 300 - SDM	60	300	1,2	3,489	3008444
060 UKS 400 - SDM	60	400	1,2	4,047	3008443
060 UKS 500 - SDM	60	500	1,2	4,605	3008442
060 UKS 600 - SDM	60	600	1,2	5,163	3001765

Level Adaptation Module



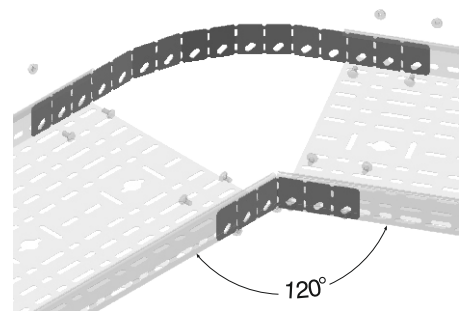
Includes:
1 Unit of Level Adaptation Module,
16 Units of M6x12 Bolts,
16 Units of M6 Bolt Nuts and
4 Units of SDE.



►► UK FLEXIBLE JOINT

Pre-galvanized (TS EN 10346 - TS EN 10143)

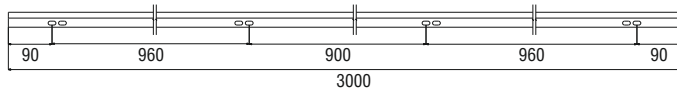
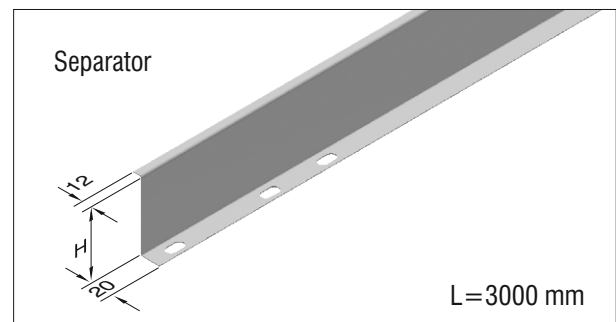
Description	H (mm)	T (mm)	Weight (kg./set.)	Order Code
40 FLEXIBLE JOINT (50-100-150-200-250-300)	33	1,2	0,193	3046723
40 FLEXIBLE JOINT (400-500-600)	33	1,2	0,281	3046724
60 FLEXIBLE JOINT (50-100-150-200-250-300)	53	1,2	0,322	3046725
60 FLEXIBLE JOINT (400-500-600)	53	1,2	0,468	3046726



►► UKS SEPARATOR

Pre-galvanized (TS EN 10346 - TS EN 10143)

Description	H (mm)	T (mm)	Weight (kg./m.)	Order Code
040 UKS SEPARATOR	38	1,2	0,568	3008456
060 UKS SEPARATOR	58	1,2	0,757	3008455



■ Please indicate order code in your orders.

■ Please contact us for special size.

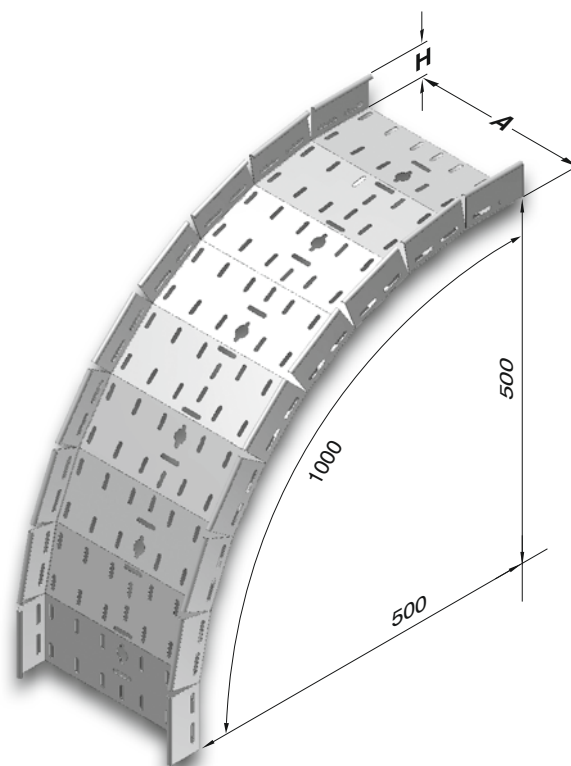
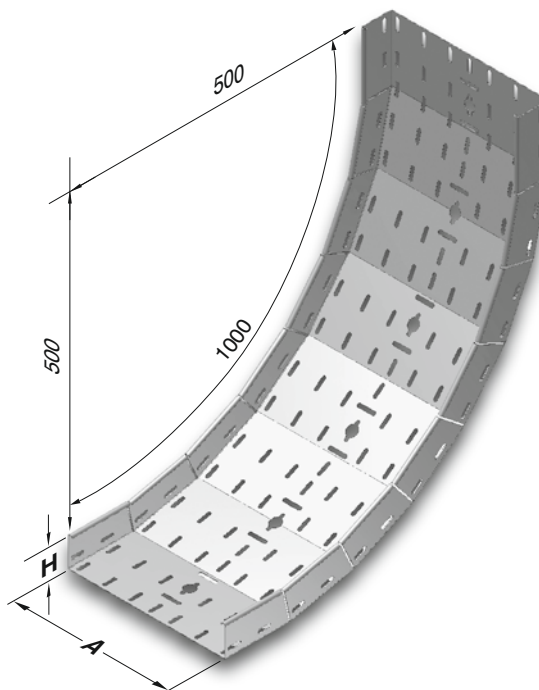
■ Could be applied to a maximum angle of 120°.

■ Material weights may vary by ± 10%

►► UKS ADJUSTABLE CONCAVE MODULE

Pre-galvanized (TS EN 10346 - TS EN 10143)

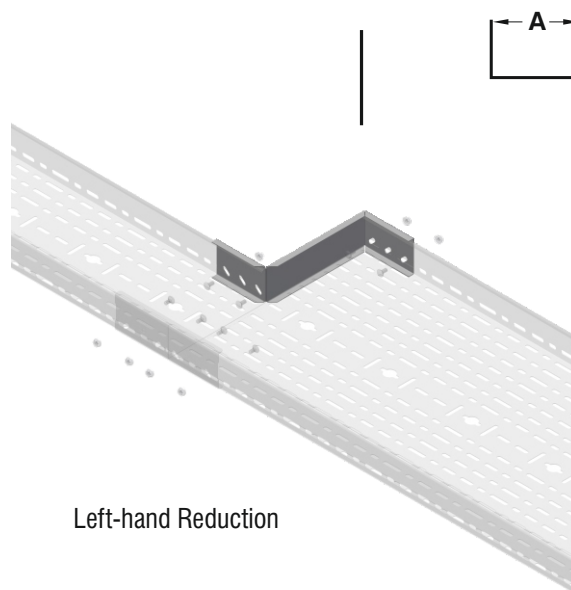
Description	H (mm)	A (mm)	T (mm)	Weight (kg/pc)	Order Code
040 UKS 050 ADJ. CONCAVE	40	50	1	0,922	3004339
040 UKS 100 ADJ. CONCAVE	40	100	1	1,252	3004341
040 UKS 150 ADJ. CONCAVE	40	150	1	1,566	3004343
040 UKS 200 ADJ. CONCAVE	40	200	1,2	2,265	3004345
040 UKS 250 ADJ. CONCAVE	40	250	1,2	2,651	3004347
040 UKS 300 ADJ. CONCAVE	40	300	1,5	3,796	3004349
040 UKS 400 ADJ. CONCAVE	40	400	1,5	4,808	3004351
040 UKS 500 ADJ. CONCAVE	40	500	1,5	5,722	3004353
040 UKS 600 ADJ. CONCAVE	40	600	1,5	6,737	3004355
060 UKS 100 ADJ. CONCAVE	60	100	1	1,516	3004359
060 UKS 150 ADJ. CONCAVE	60	150	1	1,838	3004361
060 UKS 200 ADJ. CONCAVE	60	200	1,2	2,160	3004363
060 UKS 250 ADJ. CONCAVE	60	250	1,2	2,978	3004365
060 UKS 300 ADJ. CONCAVE	60	300	1,5	4,181	3004367
060 UKS 400 ADJ. CONCAVE	60	400	1,5	5,216	3004369
060 UKS 500 ADJ. CONCAVE	60	500	1,5	6,181	3004371
060 UKS 600 ADJ. CONCAVE	60	600	1,5	7,146	3004373



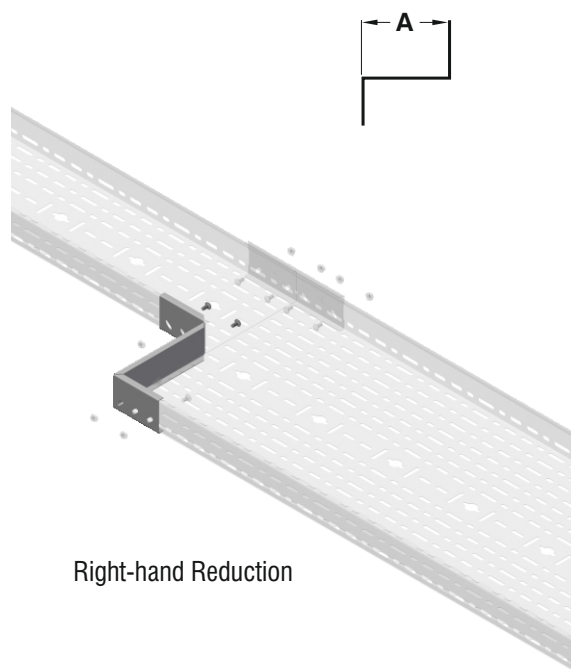
►► UKS REDUCTION

Pre-galvanized (TS EN 10346 - TS EN 10143)

Description	H (mm)	A (mm)	T (mm)	Weight (kg/pc)	Order Code
040 UKS 025 RD	40	25	1,2	0,134	3002329
040 UKS 050 RD	40	50	1,2	0,148	3002330
040 UKS 100 RD	40	100	1,2	0,176	3002331
040 UKS 150 RD	40	150	1,2	0,205	3002332
040 UKS 200 RD	40	200	1,2	0,233	3002333
040 UKS 250 RD	40	250	1,2	0,262	3002334
040 UKS 300 RD	40	300	1,2	0,290	3002335
060 UKS 025 RD	60	25	1,2	0,178	3002336
060 UKS 050 RD	60	50	1,2	0,197	3002337
060 UKS 100 RD	60	100	1,2	0,235	3002338
060 UKS 150 RD	60	150	1,2	0,273	3002339
060 UKS 200 RD	60	200	1,2	0,311	3002340
060 UKS 250 RD	60	250	1,2	0,349	3002341
060 UKS 300 RD	60	300	1,2	0,387	3002342



Left-hand Reduction



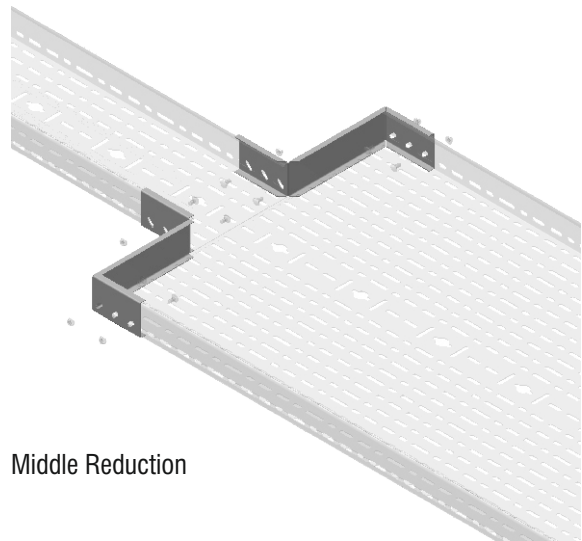
Right-hand Reduction

- Please indicate order code in your orders.
- Please contact us for special size.
- Material weights may vary by ± 10%

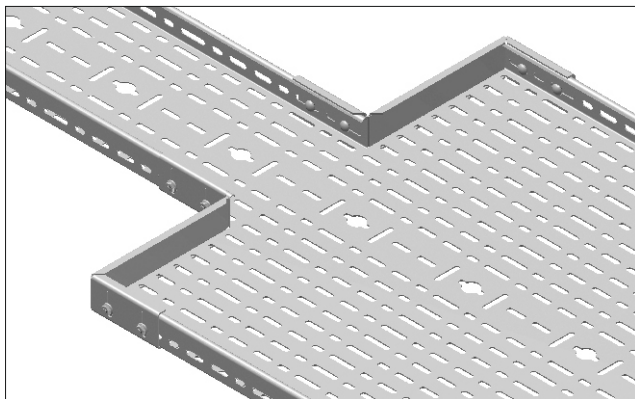
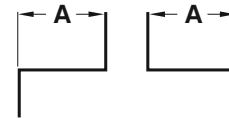
►► UKS MIDDLE REDUCTION

Pre-galvanized (TS EN 10346 - TS EN 10143)

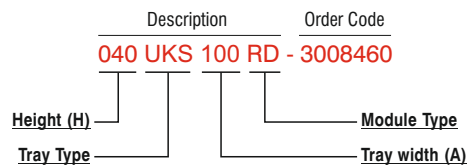
Description	H (mm)	A (mm)	T (mm)	Weight (kg/set)	Order Code
040 UKS 025 RD	40	25	1,2	0,267	3008462
040 UKS 050 RD	40	50	1,2	0,296	3008461
040 UKS 100 RD	40	100	1,2	0,353	3008460
040 UKS 150 RD	40	150	1,2	0,410	3008118
040 UKS 200 RD	40	200	1,2	0,466	3008119
040 UKS 250 RD	40	250	1,2	0,523	3008111
040 UKS 300 RD	40	300	1,2	0,580	3008105
060 UKS 025 RD	60	25	1,2	0,356	3008459
060 UKS 050 RD	60	50	1,2	0,394	3008458
060 UKS 100 RD	60	100	1,2	0,470	3008457
060 UKS 150 RD	60	150	1,2	0,546	3008110
060 UKS 200 RD	60	200	1,2	0,622	3008103
060 UKS 250 RD	60	250	1,2	0,698	3008104
060 UKS 300 RD	60	300	1,2	0,774	3008106



Middle Reduction



Sample Order:
 Height (H) (H): 40 mm,
 Tray Width (A): 100 mm,
 Sheet Metal Thickness (T): 1,2 mm,
 Type of Coating (P): Pre-galvanized,
 Module Type: Reduction Module.



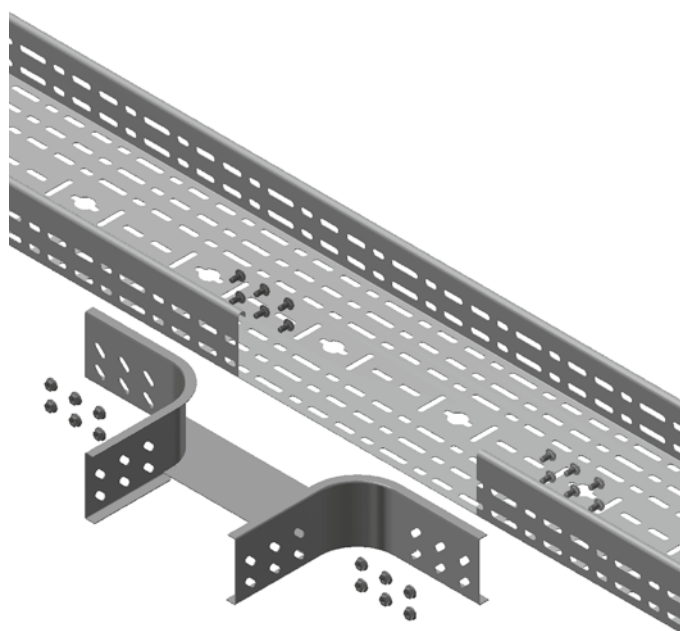
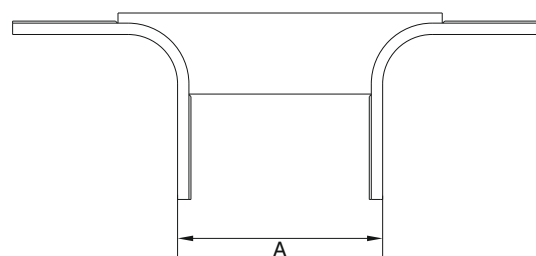
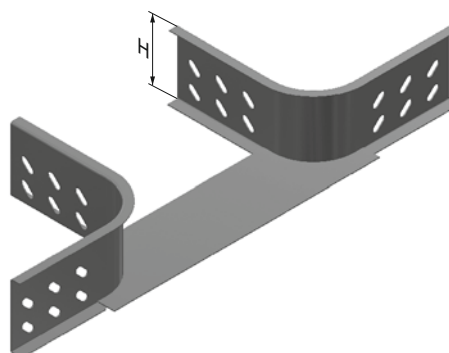
- Please indicate order code in your orders.
- Please contact us for special size.
- Material weights may vary by ± 10%

►► UKS YT HALF "T"

Pre-galvanized (TS EN 10346 - TS EN 10143)

Description	H (mm)	A (mm)	T (mm)	Weight (kg/pc)	Order Code
40 UKS 50 HALF "T" MODULE	40	50	1,2	0,447	3086575
40 UKS 100 HALF "T" MODULE	40	100	1,2	0,485	3086576
40 UKS 150 HALF "T" MODULE	40	150	1,2	0,523	3086577
40 UKS 200 HALF "T" MODULE	40	200	1,2	0,560	3086578
40 UKS 250 HALF "T" MODULE	40	250	1,2	0,598	3086579
40 UKS 300 HALF "T" MODULE	40	300	1,2	0,636	3086580
40 UKS 400 HALF "T" MODULE	40	400	1,2	0,711	3086581
40 UKS 500 HALF "T" MODULE	40	500	1,2	0,786	3086582
40 UKS 600 HALF "T" MODULE	40	600	1,2	0,862	3086583
60 UKS 50 HALF "T" MODULE	60	50	1,2	0,563	3086584
60 UKS 100 HALF "T" MODULE	60	100	1,2	0,577	3086585
60 UKS 150 HALF "T" MODULE	60	150	1,2	0,614	3086586
60 UKS 200 HALF "T" MODULE	60	200	1,2	0,676	3086587
60 UKS 250 HALF "T" MODULE	60	250	1,2	0,713	3086588
60 UKS 300 HALF "T" MODULE	60	300	1,2	0,751	3086589
60 UKS 400 HALF "T" MODULE	60	400	1,2	0,826	3086590
60 UKS 500 HALF "T" MODULE	60	500	1,2	0,878	3086591
60 UKS 600 HALF "T" MODULE	60	600	1,2	0,977	3086592

YT HALF "T"



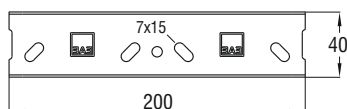
- Please indicate order code in your orders.
- Please contact us for special modules.
- Material weights may vary by ± 10%

►► UKS JOINT FITTING

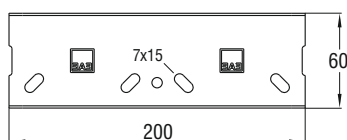
Pre-galvanized (TS EN 10346 - TS EN 10143)

Description	H (mm)	T (mm)	Weight (kg/pc)	Order Code	Pack. (pcs.)
040 UKS JOINT FITTING	40	1,2	0,110	3008596	120
060 UKS JOINT FITTING	60	1,2	0,145	3008595	80

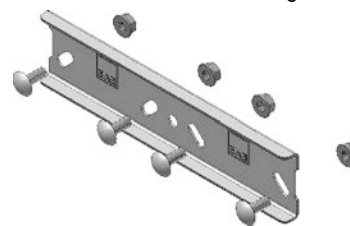
040 UKS JOINT FITTING



060 UKS JOINT FITTING

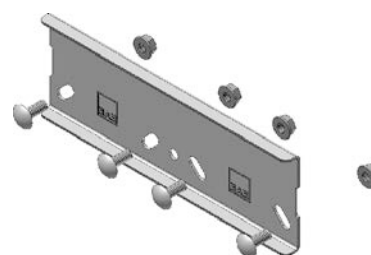


040 UKS Joint Fitting



040 UKS Joint fitting mounting; 4 M6x12 Bolt, 4 M6 Nut should be used.

060 UKS Joint Fitting



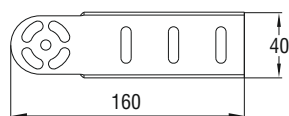
060 UKS Joint fitting mounting; 4 M6x12 Bolt, 4 M6 Nut should be used.

►► UKS LEVEL ADAPTATION JOINT SET

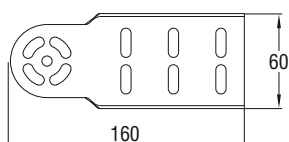
Pre-galvanized (TS EN 10346 - TS EN 10143)

Description	H (mm)	T (mm)	Weight (kg/set)	Order Code	Pack. (pcs.)
040 UKS - SDE	40	1,2	0,348	3008375	10
060 UKS - SDE	60	1,2	0,464	3008374	10

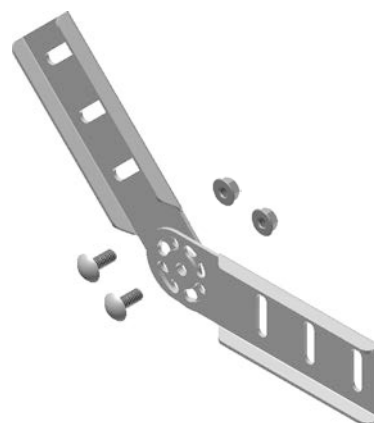
040 UKS - SDE



060 UKS - SDE

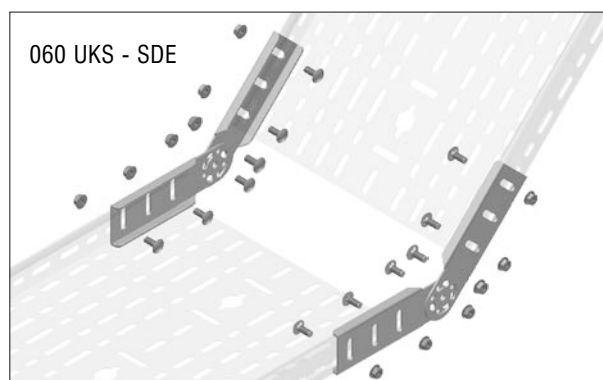


Level Adaptation Joint Set



Includes: 4 Units of Level Adaptation Joint, 4 Units of M6x12 Bolts, 4 Units of M6 Bolt Nuts.

060 UKS - SDE



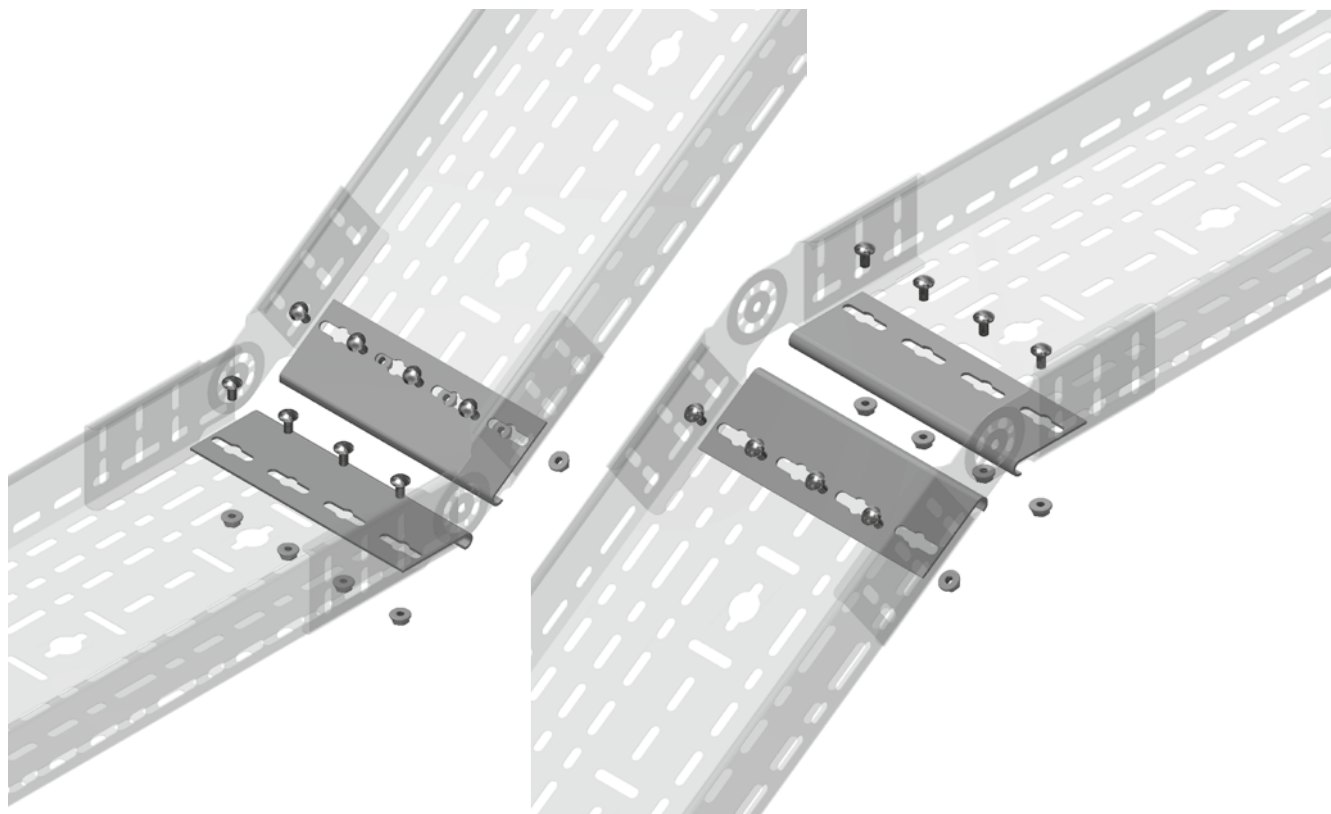
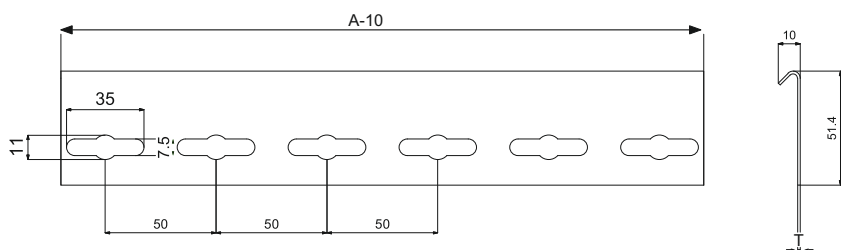
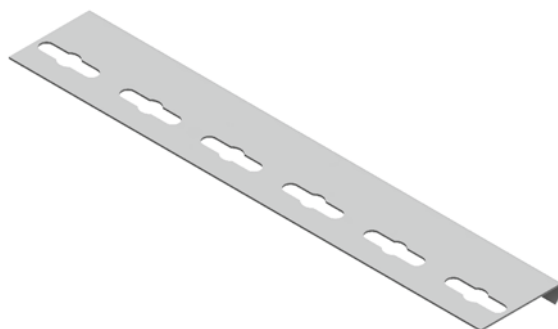
- Please indicate order code in your orders.
- Please contact us for special size.
- Material weights may vary by ± 10%



►► UK SDE **ELBOW PROTECTION PLATE**

Pre-galvanized (TS EN 10346 - TS EN 10143)

Description	A (mm)	T (mm)	Weight (kg./pc.)	Order Code
UK SDE ELBOW PROTECTION PLATE 100	100	1,2	0,054	3135707
UK SDE ELBOW PROTECTION PLATE 150	150	1,2	0,083	3135708
UK SDE ELBOW PROTECTION PLATE 200	200	1,2	0,114	3135709
UK SDE ELBOW PROTECTION PLATE 250	250	1,2	0,142	3135710
UK SDE ELBOW PROTECTION PLATE 300	300	1,2	0,173	3135711
UK SDE ELBOW PROTECTION PLATE 400	400	1,2	0,233	3135712
UK SDE ELBOW PROTECTION PLATE 500	500	1,2	0,292	3135713
UK SDE ELBOW PROTECTION PLATE 600	600	1,2	0,352	3135714



■ To fix it, please order the M6x12 bolt kit.

▶▶ UKK TRAY COVER

Pre-galvanized (TS EN 10346 - TS EN 10143)

Description	A (mm)	T (mm)	Weight (kg./m.)	Order Code	Pack (m)
UKK 50	50	0,8	0,448	3008371	2100
UKK 100	100	0,8	0,757	3008370	1224
UKK 150	150	1	1,341	3008369	1044
UKK 200	200	1	1,735	3008368	798
UKK 250	250	1,2	2,556	3008367	390
UKK 300	300	1,2	3,030	3008366	390
UKK 400	400	1,5	4,970	3008365	150
UKK 500	500	1,5	6,154	3008364	150
UKK 600	600	1,5	7,330	3006017	150

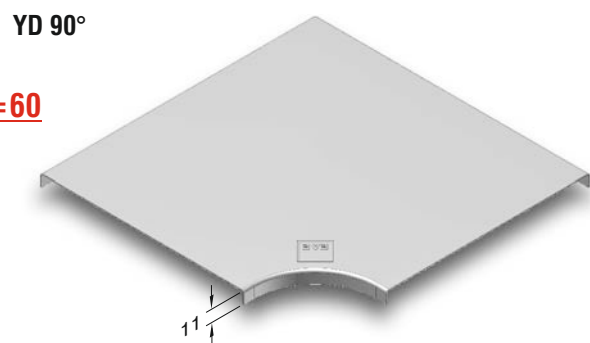
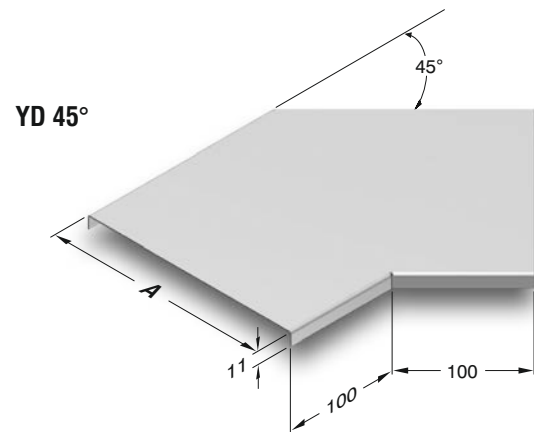
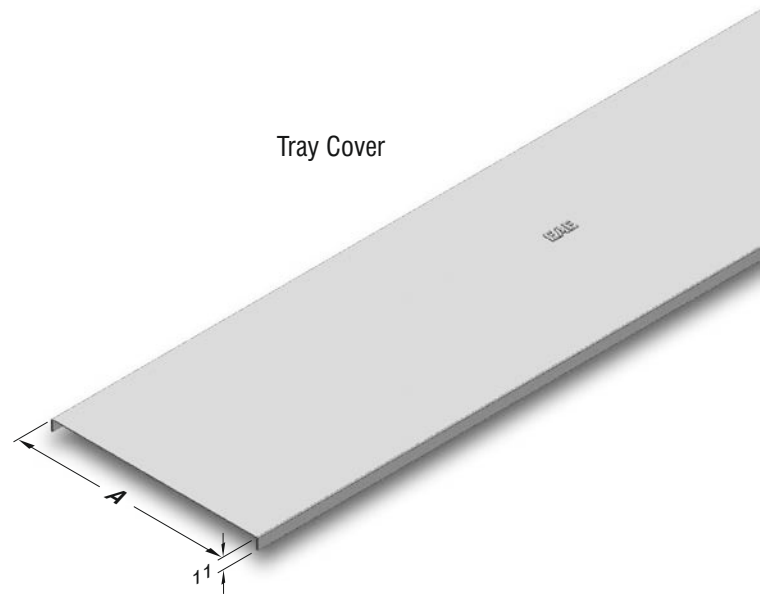
■ Standard length is 3000 mm.

■ It is recommended to use the m/pc clamps to fix the lids.

▶▶ UKK HORIZONTAL ELBOW MODULE COVER (45°)

Pre-galvanized (TS EN 10346 - TS EN 10143)

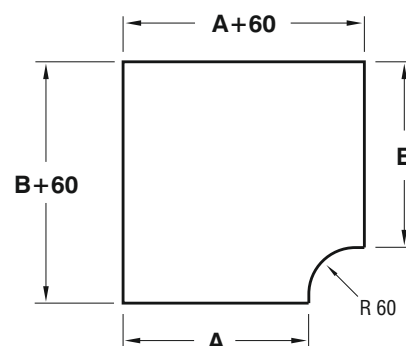
Description	A (mm)	T (mm)	Weight (kg./pc.)	Order Code
UKK 050 YD 45°	50	1,2	0,152	3001944
UKK 100 YD 45°	100	1,2	0,279	3001945
UKK 150 YD 45°	150	1,2	0,425	3001946
UKK 200 YD 45°	200	1,2	0,590	3001947
UKK 250 YD 45°	250	1,2	0,776	3001948
UKK 300 YD 45°	300	1,2	0,981	3001949
UKK 400 YD 45°	400	1,2	1,449	3001950
UKK 500 YD 45°	500	1,2	1,996	3001951
UKK 600 YD 45°	600	1,2	2,622	3001952



▶▶ UKK HORIZONTAL ELBOW MODULE COVER (90°) R=60

Pre-galvanized (TS EN 10346 - TS EN 10143)

Description	AB (mm)	T (mm)	Weight (kg./pc.)	Order Code
UKK 50 YD 90°	50	1,2	0,129	3008347
UKK 100 YD 90°	100	1,2	0,271	3008346
UKK 150 YD 90°	150	1,2	0,461	3008345
UKK 200 YD 90°	200	1,2	0,697	3008344
UKK 250 YD 90°	250	1,2	0,981	3008343
UKK 300 YD 90°	300	1,2	1,313	3008342
UKK 400 YD 90°	400	1,2	2,118	3008341
UKK 500 YD 90°	500	1,2	3,112	3008340
UKK 600 YD 90°	600	1,2	4,295	3001735



■ Please indicate order code in your orders.

■ Please contact us for special size.

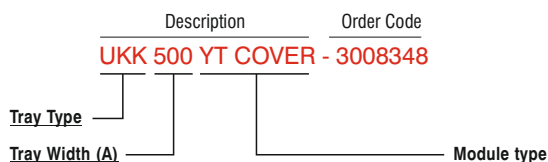
■ Material weights may vary by $\pm 10\%$

►► **UKK "T" MODULE COVER R=60**

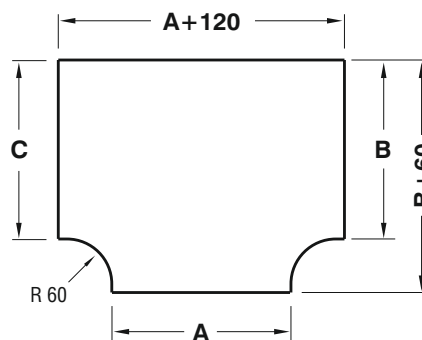
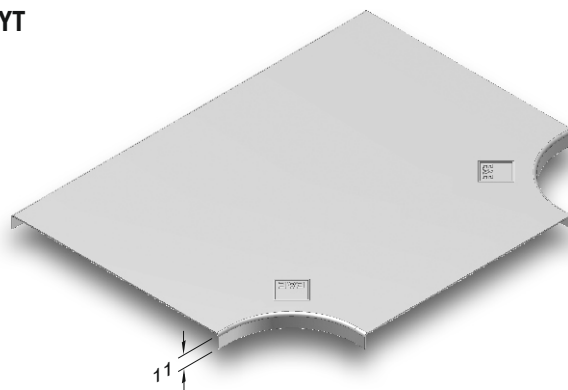
Pre-galvanized (TS EN 10346 - TS EN 10143)

Description	ABC (mm)	T (mm)	Weight (kg/pc)	Order Code
UKK 50 YT	50	1,2	0,164	3008355
UKK 100 YT	100	1,2	0,327	3008354
UKK 150 YT	150	1,2	0,538	3008353
UKK 200 YT	200	1,2	0,796	3008352
UKK 250 YT	250	1,2	1,101	3008351
UKK 300 YT	300	1,2	1,454	3008350
UKK 400 YT	400	1,2	2,301	3008349
UKK 500 YT	500	1,2	3,338	3008348
UKK 600 YT	600	1,2	4,564	3001736

Sample Order:



YT

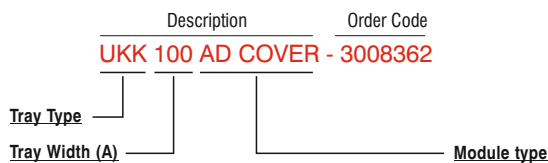


►► **UKK "+" CONNECTION MODULE COVER R=60**

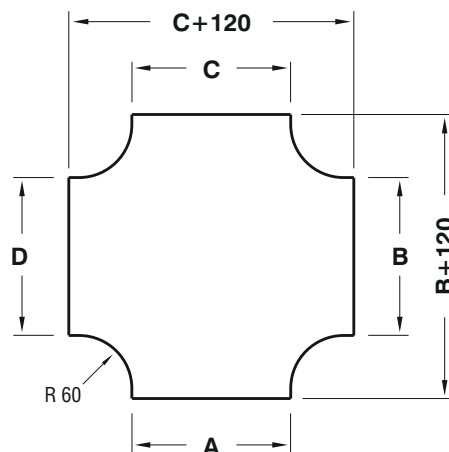
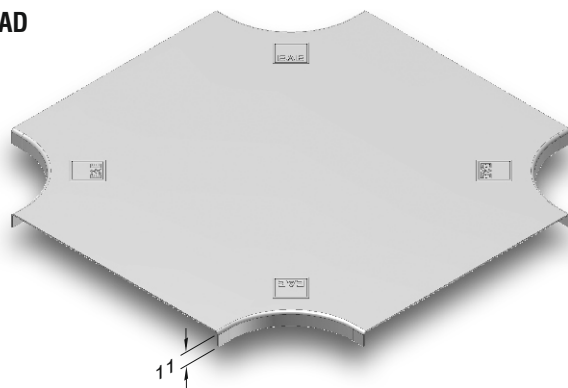
Pre-galvanized (TS EN 10346 - TS EN 10143)

Description	ABCD (mm)	T (mm)	Weight (kg/pc)	Order Code
UKK 50 AD	50	1,2	0,199	3008363
UKK 100 AD	100	1,2	0,384	3008362
UKK 150 AD	150	1,2	0,616	3008361
UKK 200 AD	200	1,2	0,895	3008360
UKK 250 AD	250	1,2	1,222	3008359
UKK 300 AD	300	1,2	1,596	3008358
UKK 400 AD	400	1,2	2,486	3008357
UKK 500 AD	500	1,2	3,565	3008356
UKK 600 AD	600	1,2	4,834	3001737

Sample Order:



AD



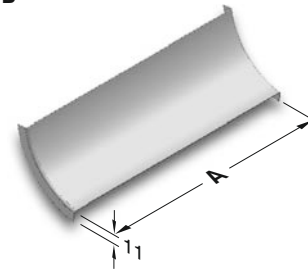
- Please indicate order code in your orders.
- Please contact us for special size.
- Material weights may vary by ± 10%

►► **UKK CONCAVE MODULE COVER (90°)**

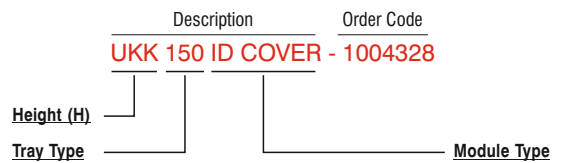
Pre-galvanized (TS EN 10346 - TS EN 10143)

Description	A (mm)	T (mm)	Weight (kg/pc)	Order Code
UKK 50 ID	50	1,2	0,063	3194643
UKK 100 ID	100	1,2	0,105	3194645
UKK 150 ID	150	1,2	0,148	3194646
UKK 200 ID	200	1,2	0,191	3194647
UKK 250 ID	250	1,2	0,234	3194648
UKK 300 ID	300	1,2	0,277	3194649
UKK 400 ID	400	1,2	0,362	3194650
UKK 500 ID	500	1,2	0,448	3194651
UKK 600 ID	600	1,2	0,534	3194652

ID



Sample Order:

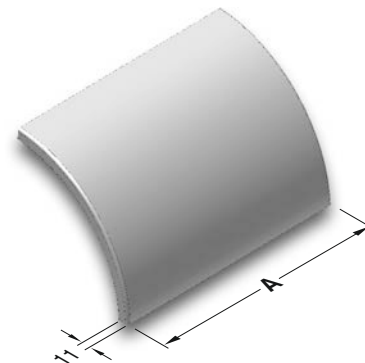


►► **UKK CONVEX MODULE COVER (90°)**

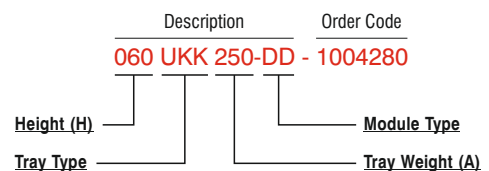
Pre-galvanized (TS EN 10346 - TS EN 10143)

Description	A (mm)	T (mm)	Weight (kg/pc)	Order Code
040 UKK 50 DD	50	1,2	0,106	3194653
040 UKK 100 DD	100	1,2	0,179	3194654
040 UKK 150 DD	150	1,2	0,251	3194655
040 UKK 200 DD	200	1,2	0,324	3194656
040 UKK 250 DD	250	1,2	0,396	3194657
040 UKK 300 DD	300	1,2	0,469	3194658
040 UKK 400 DD	400	1,2	0,614	3194659
040 UKK 500 DD	500	1,2	0,759	3194660
040 UKK 600 DD	600	1,2	0,904	3194661
060 UKK 50 DD	50	1,2	0,128	3194662
060 UKK 100 DD	100	1,2	0,215	3194664
060 UKK 150 DD	150	1,2	0,303	3194665
060 UKK 200 DD	200	1,2	0,390	3194666
060 UKK 250 DD	250	1,2	0,477	3194667
060 UKK 300 DD	300	1,2	0,565	3194668
060 UKK 400 DD	400	1,2	0,740	3194669
060 UKK 500 DD	500	1,2	0,915	3194670
060 UKK 600 DD	600	1,2	1,089	3194671

DD



Sample Order:

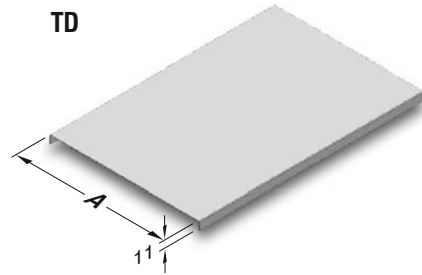


- Please indicate order code in your orders.
- Please contact us for special modules.
- Material weights may vary by ± 10%

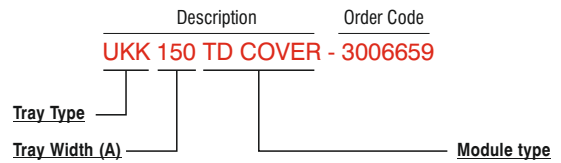
►► **UKK "T" WALL DESCENT MODULE COVER**

Pre-galvanized (TS EN 10346 - TS EN 10143)

Description	A (mm)	T (mm)	Weight (kg/pc)	Order Code
UKK 50 TD	50	1,2	0,117	3006661
UKK 100 TD	100	1,2	0,261	3006660
UKK 150 TD	150	1,2	0,453	3006659
UKK 200 TD	200	1,2	0,692	3006658
UKK 250 TD	250	1,2	0,853	3006657
UKK 300 TD	300	1,2	1,014	3006656
UKK 400 TD	400	1,2	1,336	3006655
UKK 500 TD	500	1,2	1,658	3006654
UKK 600 TD	600	1,2	1,980	3001732



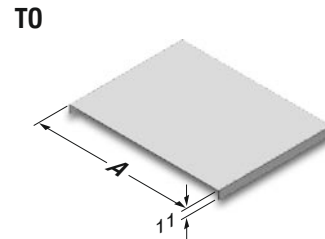
Sample Order:



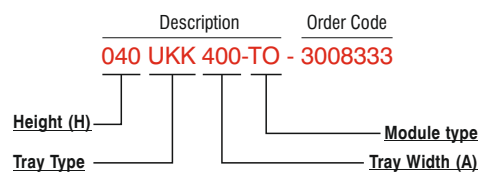
►► **UKK "T" MIDDLE DESCENT MODULE COVER**

Pre-galvanized (TS EN 10346 - TS EN 10143)

Description	A (mm)	T (mm)	Weight (kg/pc)	Order Code
040 UKK 50 TO	50	1,2	0,111	3008339
040 UKK 100 TO	100	1,2	0,196	3008338
040 UKK 150 TO	150	1,2	0,281	3008337
040 UKK 200 TO	200	1,2	0,366	3008336
040 UKK 250 TO	250	1,2	0,452	3008335
040 UKK 300 TO	300	1,2	0,537	3008334
040 UKK 400 TO	400	1,2	0,707	3008333
040 UKK 500 TO	500	1,2	0,878	3008332
040 UKK 600 TO	600	1,2	1,048	3001733
060 UKK 50 TO	50	1,2	0,123	3005356
060 UKK 100 TO	100	1,2	0,218	3005355
060 UKK 150 TO	150	1,2	0,312	3005354
060 UKK 200 TO	200	1,2	0,407	3005353
060 UKK 250 TO	250	1,2	0,502	3005352
060 UKK 300 TO	300	1,2	0,596	3005351
060 UKK 400 TO	400	1,2	0,786	3005350
060 UKK 500 TO	500	1,2	0,975	3005349
060 UKK 600 TO	600	1,2	1,165	3001734



Sample Order:



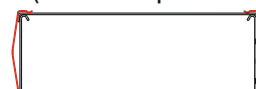
►► **UK CABLE TRAY COVER CLAMPS**

Description	Weight (kg/pc)	Order Code	Pack. (pcs.)
UKK 040 COVER CLAMP (OUTWARD)	0,010	1004254	500
UKK 060 COVER CLAMP (OUTWARD)	0,015	1004253	500

UKK
Cover
Clamp
(outward)



(Alkaline Lacquer coated)

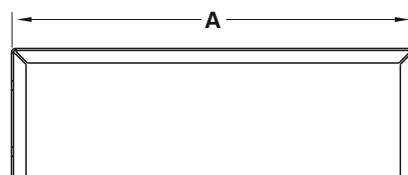
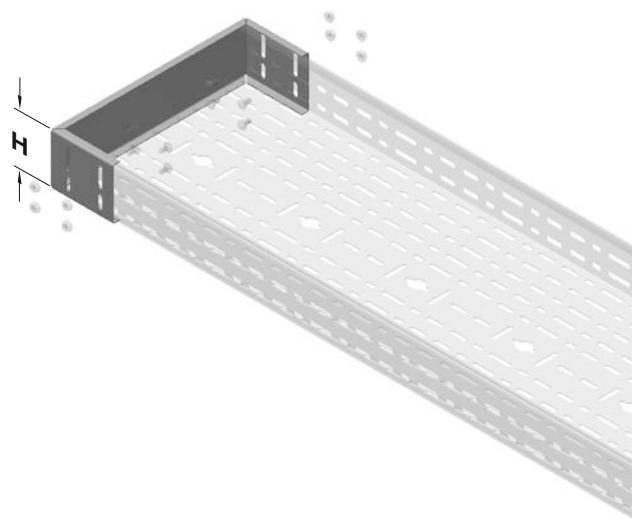


■ Recommended spacing for and outward clamps is 2 metres.

►► UKS END COVER

Pre-galvanized (TS EN 10346 - TS EN 10143)

Description	A (mm)	T (mm)	Weight (kg/pc)	Order Code
40 UKS 050 END COVER	50	1,2	0,136	3030373
40 UKS 100 END COVER	100	1,2	0,166	3030374
40 UKS 150 END COVER	150	1,2	0,195	3030375
40 UKS 200 END COVER	200	1,2	0,225	3030376
40 UKS 250 END COVER	250	1,2	0,255	3030377
40 UKS 300 END COVER	300	1,2	0,285	3030378
40 UKS 400 END COVER	400	1,2	0,344	3030379
40 UKS 500 END COVER	500	1,2	0,403	3030380
40 UKS 600 END COVER	600	1,2	0,463	3030381
60 UKS 050 END COVER	50	1,2	0,178	3030382
60 UKS 100 END COVER	100	1,2	0,218	3030383
60 UKS 150 END COVER	150	1,2	0,257	3030384
60 UKS 200 END COVER	200	1,2	0,296	3030385
60 UKS 250 END COVER	250	1,2	0,335	3030386
60 UKS 300 END COVER	300	1,2	0,374	3030387
60 UKS 400 END COVER	400	1,2	0,452	3030388
60 UKS 500 END COVER	500	1,2	0,530	3030389
60 UKS 600 END COVER	600	1,2	0,609	3030390



Sample Order

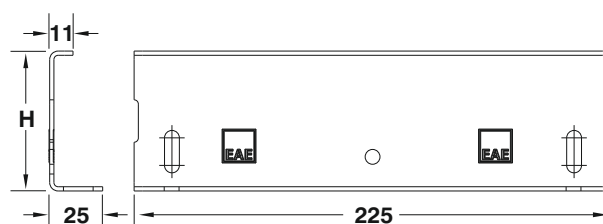
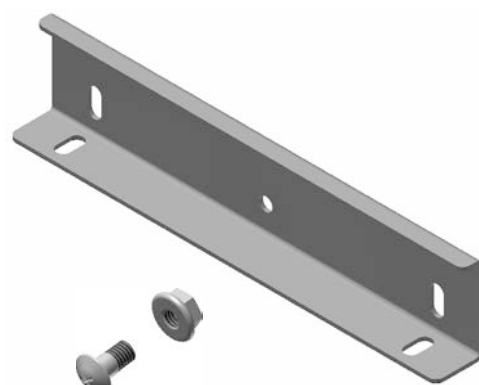
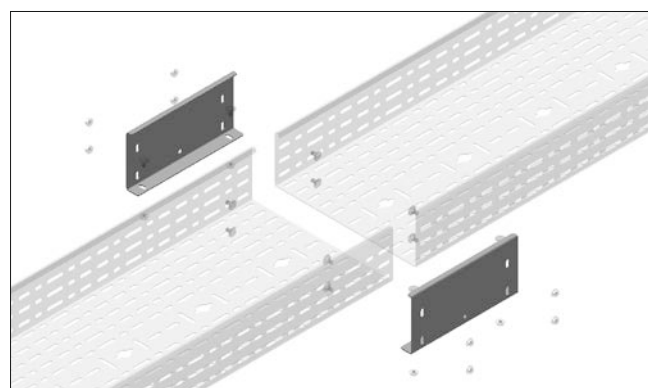
Description Order Code
040 UKS 400 - 3030379



►► UKS EXPANSION SET

Pre-galvanized (TS EN 10346 - TS EN 10143)

Description	H (mm)	T (mm)	Weight (kg/set)	Order Code	Pack. (pcs.)
40 UKS EXPANSION SET	40	2	0,516	3006610	20
60 UKS EXPANSION SET	60	2	0,656	3006611	20



- The Expansion set allows for 35 mm expansion
- In an expansion set. 2 pieces of expansion attachment, and 8 pieces of special bolts and nuts are used.

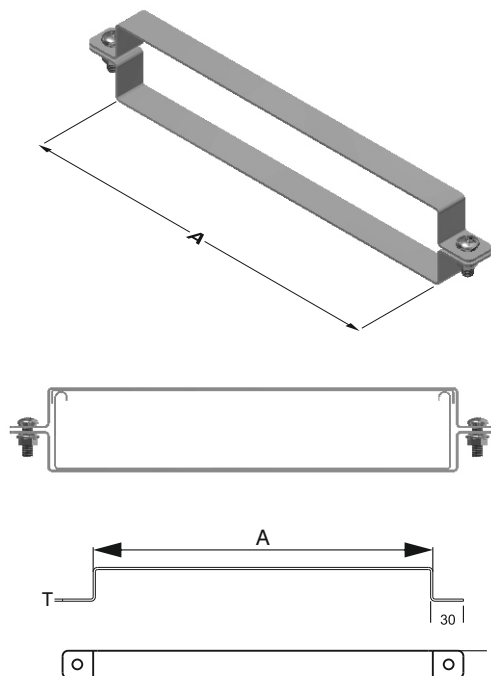


►► **UKS OMEGA CLAMP**

Pre-galvanized (TS EN 10346 - TS EN 10143)

Description	A (mm)	T (mm)	Weight (kg/pc)	Order Code
40 UKS OMEGA CLAMP 50	61	2	0,112	3137713
40 UKS OMEGA CLAMP 100	111	2	0,152	3137714
40 UKS OMEGA CLAMP 150	161	2	0,192	3137715
40 UKS OMEGA CLAMP 200	211	2	0,230	3137716
40 UKS OMEGA CLAMP 250	261	2	0,270	3137717
40 UKS OMEGA CLAMP 300	311	2	0,310	3137718
40 UKS OMEGA CLAMP 400	411	2	0,388	3137719
40 UKS OMEGA CLAMP 500	511	2	0,466	3137720
40 UKS OMEGA CLAMP 600	611	2	0,544	3137721
60 UKS OMEGA CLAMP 100	111	2	0,168	3137722
60 UKS OMEGA CLAMP 150	161	2	0,208	3137723
60 UKS OMEGA CLAMP 200	211	2	0,246	3137724
60 UKS OMEGA CLAMP 250	261	2	0,286	3137725
60 UKS OMEGA CLAMP 300	311	2	0,324	3137726
60 UKS OMEGA CLAMP 400	411	2	0,404	3137727
60 UKS OMEGA CLAMP 500	511	2	0,482	3137728
60 UKS OMEGA CLAMP 600	611	2	0,560	3137729

UKS Tray Cover Omega Clamp

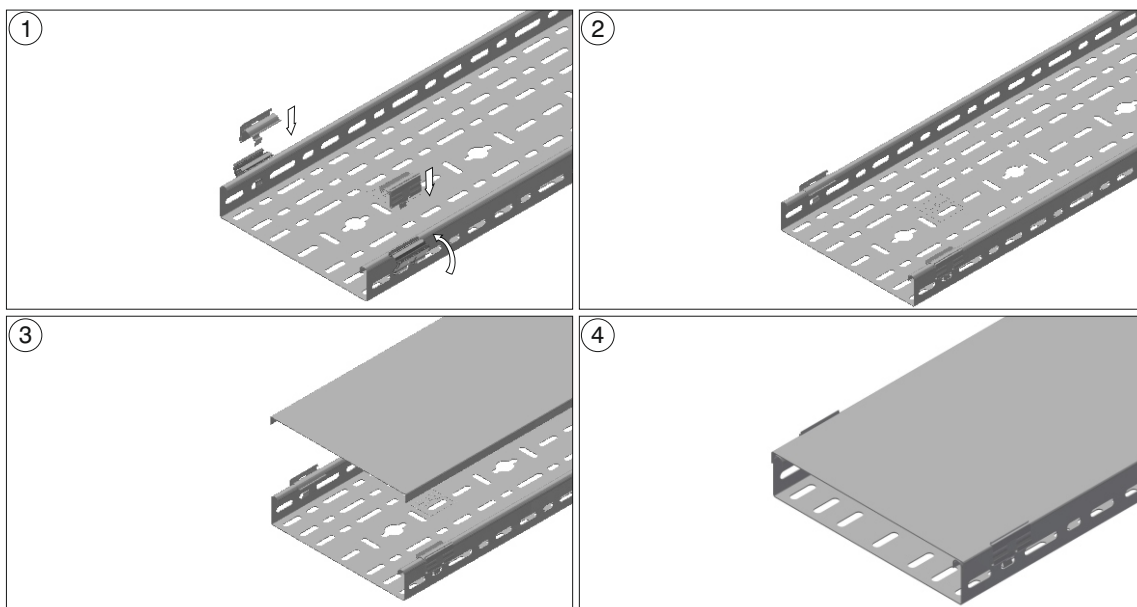
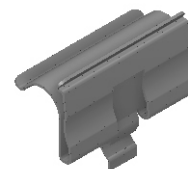


Note: Bolt set is included in the product delivered.

►► **UKS QUICK FIT COVER CLAMP**

Pre-galvanized (TS EN 10346 - TS EN 10143)

Description	Weight (kg/pc)	Order Code
40 UKS QUICK FIT COVER CLAMP	0,027	1025015
60 UKS QUICK FIT COVER CLAMP	0,034	1025041

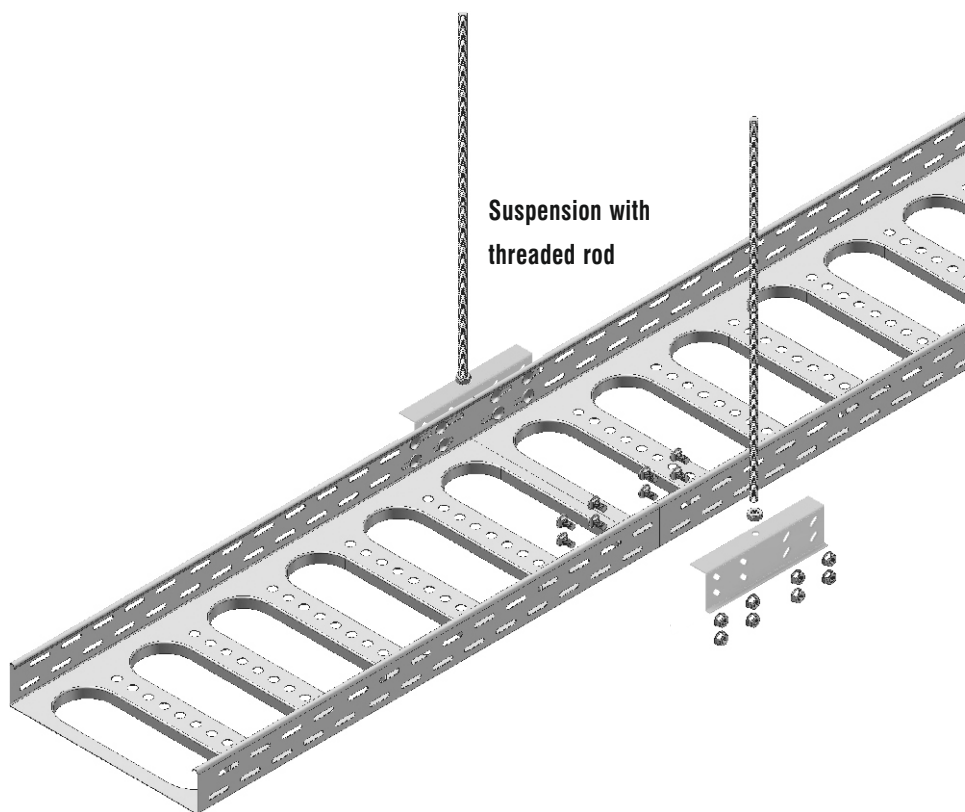
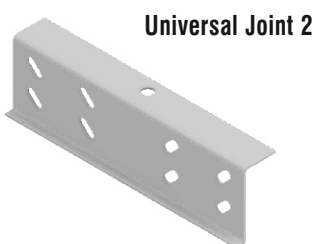
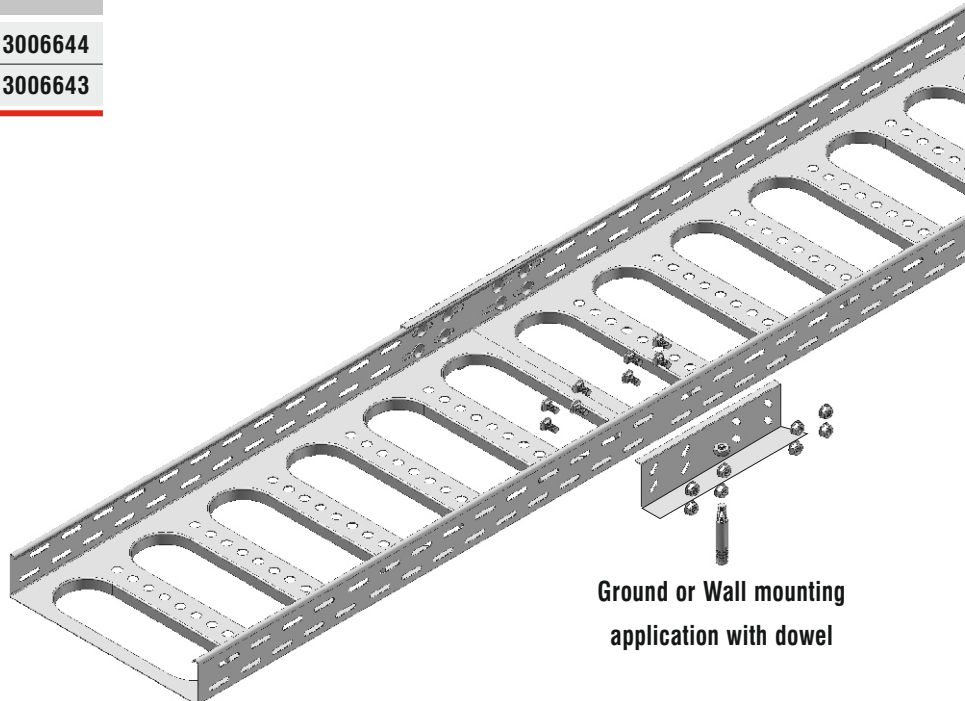
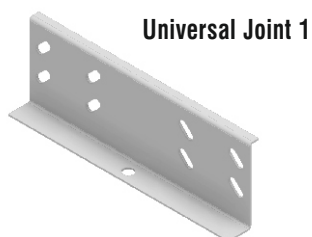


■ Duct Covers; It is not enough to secure the covers to install in vertical or vertically installed cable trays, please also use self-tapping screws, steel cable ties or cover hinges against wind loads.

►► **SUPPORT ACCESSORIES**

Pre-galvanized (TS EN 10346 - TS EN 10143)


Description	T (mm)	Weight (kg/pc)	Order Code
Universal Joint 1	1,5	0,198	3006644
Universal Joint 2	1,5	0,209	3006643



- Please indicate order code in your orders.
- Please contact us for special size.
- Material weights may vary by $\pm 10\%$

▶▶ **PROJECT DESIGN FORM**

Item	Component List Component	Quantity
Company : Project : Project No :		
Prepared by Name : Date : Signature:		



Please duplicate this page for your own use.