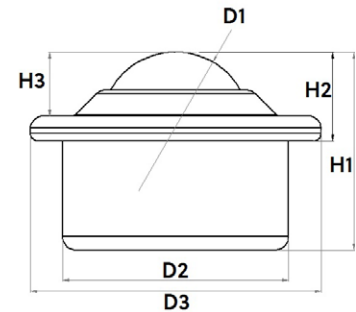
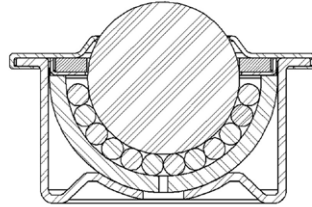


## Ball caster with sheet steel casing and collar



Designation	Material of bearing ball	Dimensioning						Sealing felt	Load bearing capacity(kg)
		Ø D1 (mm)	Ø D2 (mm)	Ø D3 (mm)	H1 (mm)	H2 (mm)	H3 (mm)		
Tolerances	-	-	+/- 0.1	+/- 0.2	+/- 0.2	+/- 0.2	-	-	-
<b>Ball caster / ball transfer units with sheet steel casing and collar, galvanised</b>									
015.000	Tool steel	15.875	24	31	21	9.5	6.5	yes / no	50
022.000		22.225	36	45	30.5	10	7.3	yes	150
030.000		30.000	45	55	37	14	10.3	yes	300
015.010	Plastic	15.875	24	31	21	9.5	6.5	yes / no	25
022.010		22.225	36	45	30.5	10	7.3	yes	50
030.010		30.000	45	55	37	14	10.3	yes	100
015.020	Stainless steel	15.875	24	31	21	9.5	6.5	yes / no	50
022.020		22.225	36	45	30.5	10	7.3	yes	150
030.020		30.000	45	55	37	14	10.3	yes	300
<b>Ball caster / ball transfer units made entirely of steel with collar</b>									
015.030	Stainless steel	15.875	24	31	21	9.5	6.5	yes / no	50
022.030		22.225	36	45	30.5	10	7.3	yes	150
030.030		30.000	45	55	37	14	10.3	yes	300

### Design and construction

This Schulz ball caster / ball transfer unit consists of three stamped parts, the casing, bearing shell and top cover, a bearing ball and several support balls.

### Dimensions

The spacing is calculated by dividing the shortest edge length of the object to be transported by 3.5.

### Materials

- Casing, top cover:** galvanised steel, stainless steel
- Ball cup:** tempered steel, tempered stainless steel
- Support balls:** tool steel (tempered), stainless steel (tempered)
- Bearing ball:** tool steel (tempered), stainless steel (tempered), plastic

### Operational conditions

- Temperature range from -30°C to +100°C (up to +30°C with plastic bearing ball)
- Conveyance velocity of up to 1.5 m/s.
- Dynamic load rating up to max. 300 kg.